

Client:	
Order #:	
Project:	
Type:	

DESCRIPTION

Convert your existing 4' and 8' fluorescent strips to our architectural high-end LED fixture by simply removing the ballast cover and installing our Deco Channel Retrofit Kit, which includes a ribbed diffuser lens designed to eliminate LED pixilation. It's the perfect retrofit answer to save energy while upgrading the look of your fixtures to meet a higher, architectural standard. This innovative kit is designed to retrofit 4' and 8' strips or to provide continuous runs to energy-saving LED. The VCH series is available in neutral or cool color temperatures and dimming comes standard. The VCH upgrade retrofit kit is easy to install and fits almost any existing 4' or 8' linear strip, making it a perfect upgrade option where energy savings and long life are critical.

FEATURES

- LED Saves 60-75% of energy over HID and 40-50% over T8/T5HO.
- Die formed of 24 gauge cold-rolled steel body.
- All steel surface are painted after fabrication with high gloss baked white matte power painted.
- 0-10V standard dimming, optional Bi-Level Occupancy Sensor.
- Attaches to standard Fluorescent Strip lights from 4.25" to 5.25" wide.
- UL/cUL Listed for Dry and Damp locations, RoHS Compliant
- Performs at up to 130 lumens per watt, CRI 80+
- Temperswitch allows users to select between 5000K, 4000K, and 3500K in the field by simply switching an easily accessible three position switch. Fixture comes set/standard at 40K.
- For DECO MESH please review DECO MESH spec sheet

PERFORMANCE DATA

CRI

80+

CCT

3500K, 4000K, 5000K

Projected Lifetime

>54,000 hrs (L70);
>51,000 hrs (L90)

Dimming

0-10V Dimming Standard,
10% down to 100%

Operating Temperature

-20° to +50°C Ambient

Warranty

5 year Standard
10 year Optional

ORDERING INFORMATION

VCH						
	B	C	D	E	F	G

A	FIXTURE SERIES	
VCH	DECO Channel Retrofit Kit	
B	WATTAGE/LUMENS (LENGTH 4)	
22	22W/2860 ¹	
35	35W/4550 ¹	
44	44W/5720 ¹	
	(LENGTH 8)	
54	54W/7020 ¹	
68	68W/8840 ¹	
88	88W/11440 ¹	
C	CCT	
30	3000K	
40	4000K	
50	5000K	
D	VOLTAGE	
UNV	120-277V	

E	FIXTURE TYPE	
RET	Retrofit Kit	
F	OPTIONS	
E	Emergency	
M	Motion Sensor	
G	WARRANTY³	
-	5 Year Warranty	
10	10 Year Warranty	
10L	10 Year Warranty including labor	

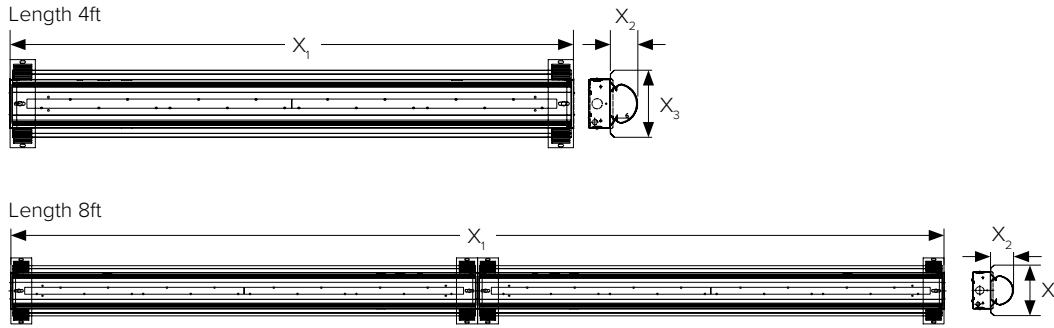
¹ Delivered Lumens (4000K)

² For more information on the Motion Sensor features and benefits see Page 3

³ 5 Year Warranty is Standard unless specified



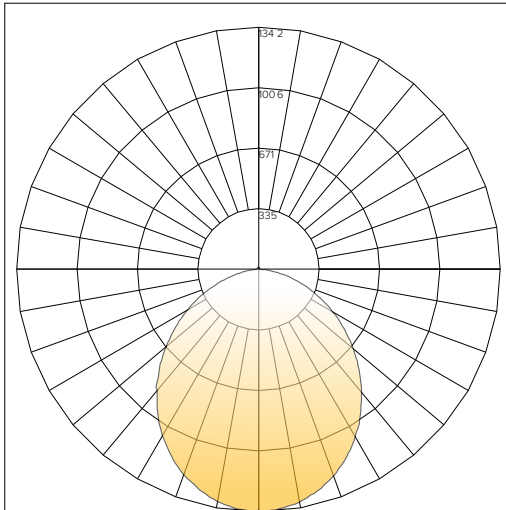
DIMENSIONS



	Inches	
	Length 4	Length 8
X_1	47.73	96.69
X_2	2.87	2.87
X_3	5.76	5.76

PHOTOMETRIC

POLAR GRAPH
VCH-LED-4-35-35050-U-RET



Maximum Candela = 1312.855 Located At Horizontal Angle = 180, Vertical Angle = 2
#1 - Vertical Plane Through Horizontal Angles (180 - 0) (Through Max. Cd.)

COEFFICIENTS OF UTILIZATION - ZONAL CAVITY METHOD
Effective Floor Cavity Reflectance 0.20

RC	80				70				50			30			10			0
	70	50	30	10	70	50	30	10	50	30	10	50	30	10	50	30	10	0
0	116	116	116	116	112	112	112	112	105	105	105	98	98	98	91	91	91	88
1	104	98	93	89	100	95	90	86	88	85	81	82	79	77	77	75	72	69
2	94	85	77	71	90	82	75	69	76	71	66	71	66	62	66	63	59	56
3	85	74	65	58	82	71	63	57	67	60	54	62	57	52	58	54	50	47
4	78	66	57	50	75	64	55	49	60	53	47	57	52	46	54	48	44	40
5	71	58	49	42	68	56	48	41	53	45	40	50	43	38	47	41	37	34
6	66	52	43	36	63	51	42	36	48	40	35	45	38	33	42	37	32	30
7	61	47	38	32	59	46	37	32	43	36	30	41	34	29	38	33	28	26
8	57	43	34	28	55	42	34	28	40	32	27	37	31	26	35	30	25	23
9	53	39	31	26	51	38	31	25	36	29	24	34	28	24	33	27	23	21
10	50	36	28	23	48	36	28	23	34	27	22	32	26	21	30	25	21	19

LUMINANCE DATA (cd/sq.m)

Angle In Degrees	Angle In Degrees	Angle In Degrees	Angle In Degrees
45	8829	6085	5975
55	7664	5081	5153
65	6284	4231	4463
75	4381	3543	3873
85	1586	3033	3417

Application Photos



Before



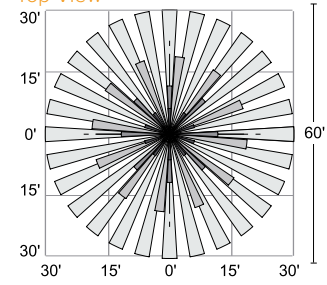
After

360° Fixture PIR Sensor



- Provides multi-level control based on motion and/or daylight contribution.
- Controls 0-10V VDC dimming LED drivers (or dimming ballasts); can also be used with non-dimming drivers.
- 40' range detector sensitivity.
- All control parameters are adjustable by using the RC-100 remote (sold separately)

Top View



Side View

