



Client:	
Order #:	
Project:	
Type:	

PERFORMANCE DATA

CRI

>80

CCT

3000K,4000K, 5000K Selectable

Projected Lifetime

100,000 Hours (L80)

Dimming

1-10V Dimmable

Operating Temperature

Suitable for up to 50° C (122° F) ambient temperature

UL Listed

Suitable for wet locations

Warranty

5 year Standard
10 year Optional

DESCRIPTION

The REVO Zenith 2 Wall Pack is a powerful luminaire that has been designed to meet a variety of locations. With the various mounting options it can be used as a flood light or as an area light. With the LEDs mounted on the large heatsink, the Zenith 2 can maintain a high lumen output while keeping the LED module at a cool temperature

FEATURES

- **LEDS**
Long-life, high-efficacy, surface-mount LEDs
- **Beam Angel & BUG**
100° beam; B2-U0-G1
- **Color Uniformity**
REVO's range of Correlated Color Temperature follows the guidelines of the American National Standard for Specifications for the Chromaticity of Solid State Lighting (SSL) Products, ANSI C78.377-2017
- **Housing**
Die-cast aluminum housing
- **Gasket**
Silicon Gaskets
- **Finish**
Finish Our environmentally friendly polyester powder coatings are formulated for high-durability and long-lasting color, and contain no VOC or toxic heavy metals.

ORDERING INFORMATION

ZENITH 2								
	B	C	D	E	F	G	H	I

A	FIXTURE SERIES	
	ZENITH 2	Wall Pack
B	WATTAGES/LUMENS	
	110	110W/14169 ¹
C	CCT	
	40	4000K
	50	5000K
D	VOLTAGE	
	U	120-277V
E	CRI	
	7	70+
F	DISTRIBUTION	
	T3	Type III
	T4	Type IV
G	FINISH	
	BZ	Bronze

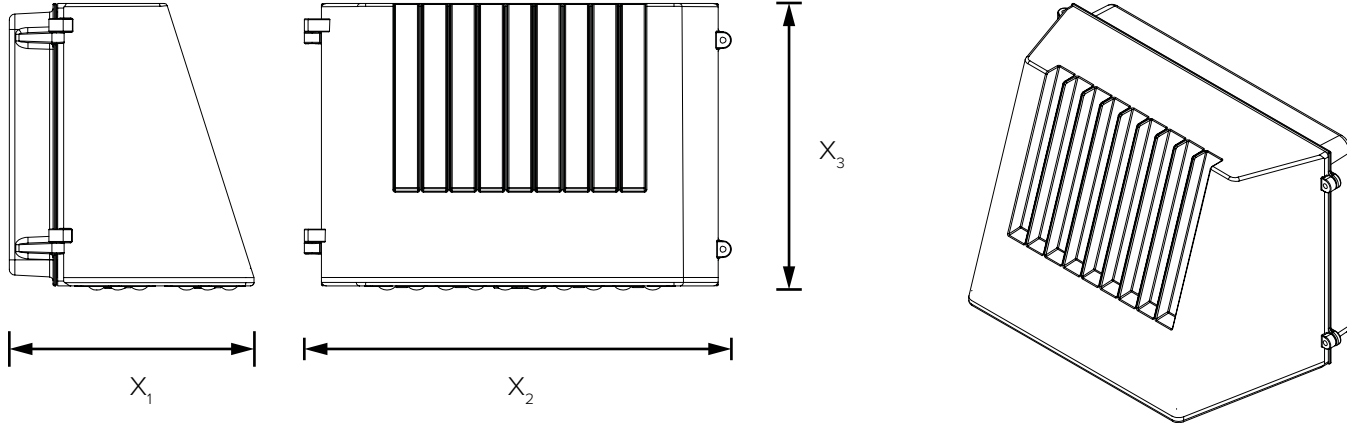
H	OPTIONS	
	PE	Photocontrol
	EM	Emergency Driver
	FAO	FAO Controller
I	WARRANTY²	
	BLANK	5 Year Warranty
	10	10 Year Warranty
	10L	10 Year Warranty including labor

¹ Delivered Lumens (5000K) - For 4000K multiply by 0.95
² 5 Year Warranty is Standard unless specified



DIMENSIONS

	X₁	X₂	X₃
110W	8.15"	14.2"	9.55"



OTHER VIEW

