



Client:	
Order #:	
Project:	
Type:	

FEATURES

AMARA POST TOP

- Conformal Coating LED light engine
- CCT: Standard-3000K, 4000K, & 5000K
- 2700K, Amber, LPS (1800K) Offered for Some Wattages - Consult Factory
- Static Colors Available - Contact Factory

DISTRIBUTION

- Types I* II, III, IV, V (Type I Available in 70w & Higher Only)
- Full Cutoff

ELECTRICAL

- Electronic Driver, 120-277V, 50/60Hz or 347/480V, 50/60Hz
- 0-10v Dimmable Driver
- Standard Surge Protection Included (6kV Line-Line; 10k-V Line-Earth)

CONTROLS (OPTIONAL)

- Button Eye Photo Control (PC)
- House Side Shield (H)

HOUSING

- Cast Aluminum Upper Dome & Spun Aluminum Lower Shade

FINISH

- Super Durable Polyester Powder Coat Finish. Custom Finishes Available, Including Patinas and All RAL Colors.

LISTINGS & RATINGS

- ETL Listed to UL 1598 Standard for Wet Location.

PERFORMANCE DATA

CRI

70+ (5000K)
80+ (4000K and lower)

CCT

3000K, 4000K, 5000K

Projected Lifetime

>100,000 Hours (L70)

Dimming

0-10V Dimming Standard,
10% down to 100%

Operating Temperature

-40°C to +55°C Ambient

Warranty

5 year Standard
10 year Optional

ORDERING INFORMATION

AMARA POST TOP							
-----------------------	--	--	--	--	--	--	--

	B	C	D	E	F	G	I
A	FIXTURE SERIES		C		F		
	Amara	Post Top	CCT		OPTIONS		
B	WATTAGE/LUMENS		30	3000K	PC	Button Eye Photo Control	
	10	10W/1420	40	4000K	H	House Side Shield	
	15	15W/2029	50	5000K	N	None	
	20	20W/2841	D	VOLTAGE		G	
	30	30W/4261		UNV	120-277V		
	40	40W/5524		H	347/480V		
	50	50W/7130	E	FINISH		I	
	60	60W/7922		BZ	Bronze		
	70	70W/9533		BL	Black		
	80	80W/10896		DBZ	Dark Bronze		
	90	90W/12257		WH	White		
	105	105W/14333		GR	Green		
	120	120W/16380		SM	Silver Metallic		
	135	135W/18428		GY	Light Gray		
	155	155/21500		TBK	Textured Black		
				CC	Custom Color		
					WARRANTY²		
					-	5 Year Warranty	
					10	10 Year Warranty	
					10L	10 Year Warranty including labor	

¹ Delivered Lumens (5000K)

² 5 Year Warranty is Standard unless specified

Amara Post Top

Lumen Output for Anaheim															
Wattage (Catalog Logic)	10w (10W)	15w (15W)	20w (20W)	30w (30W)	40w (40W)	50w (50W)	60w (60W)	70w (70W)	80w (80W)	90w (90W)	105w (105W)	120w (120W)	135w (135W)	155w (155W)	
Radiant Size (DIA.)	6"	6"	6"	6"	6"	8"	8"	12"	12"	12"	13"	13"	13"	13"	
Input Watts	10.2	14.6	20.4	30.6	40.8	51.0	56.6	67.9	77.6	87.3	101.9	116.5	131.0	152.9	
Optic	CCT	Delivered Lumens													
1 = Type I Clear PC Lens	3K	NOT AVAILABLE						8,156	9,319	10,485	12,260	14,012	15,763	18,390	
	4K	NOT AVAILABLE						8,486	9,698	10,910	12,757	14,580	16,403	19,136	
	5K	NOT AVAILABLE						8,817	10,075	11,335	13,255	15,149	17,041	19,882	
	BUG Rating	NOT AVAILABLE						B3-U0-G2	B3-U0-G2	B3-U0-G2	B3-U0-G3	B3-U0-G3	B4-U0-G3	Bx-U0-Gx	
2 = Type II Clear PC Lens	3K	1,314	1,877	2,628	3,941	5,110	6,595	7,328	8,819	10,078	11,338	13,259	15,152	17,047	19,888
	4K	1,367	1,953	2,735	4,102	5,086	6,863	7,625	9,176	10,487	11,798	13,796	15,767	17,739	20,694
	5K	1,420	2,029	2,841	4,261	5,524	7,130	7,922	9,533	10,896	12,257	14,333	16,380	18,428	21,500
	BUG Rating	B1-U0-G0	B1-U0-G0	B1-U0-G1	B1-U0-G1	B1-U0-G1	B2-U0-G1	B2-U0-G1	B2-U0-G2	B2-U0-G2	B2-U0-G2	B2-U0-G2	B2-U0-G2	B3-U0-G2	B3-U0-G2
3 = Type III Clear PC Lens	3K	1,319	1,884	2,638	3,957	5,130	6,621	7,357	8,854	10,119	11,383	13,312	15,213	17,115	19,968
	4K	1,372	1,961	2,746	4,118	5,106	6,891	7,656	9,213	10,530	11,846	13,852	15,831	17,810	20,777
	5K	1,425	2,037	2,853	4,278	5,546	7,159	7,954	9,571	10,939	12,307	14,391	16,446	18,502	21,586
	BUG Rating	B1-U0-G1	B1-U0-G1	B1-U0-G1	B1-U0-G1	B2-U0-G2	B2-U0-G2	B2-U0-G2	B2-U0-G2	B3-U0-G3	B3-U0-G3	B3-U0-G3	B3-U0-G3	B3-U0-G3	B3-U0-G3
4 = Type IV Clear PC Lens	3K	1,203	1,719	2,407	3,611	4,659	6,042	6,714	8,079	9,233	10,388	12,147	13,882	15,617	18,219
	4K	1,252	1,790	2,505	3,757	4,848	6,288	6,986	8,407	9,608	10,809	12,640	14,445	16,251	18,959
	5K	1,301	1,859	2,603	3,904	5,037	6,531	7,258	8,734	9,982	11,229	13,132	15,007	16,883	19,697
	BUG Rating	B0-U0-G1	B1-U0-G1	B1-U0-G1	B1-U0-G2	B1-U0-G2	B1-U0-G2	B2-U0-G2	B3-U0-G3	B2-U0-G3	B2-U0-G3	B2-U0-G3	B2-U0-G3	B2-U0-G3	B3-U0-G3
F = Type V Clear PC Lens	3K	1,320	1,886	2,640	3,960	5,134	6,626	7,362	8,860	10,125	11,391	13,321	15,223	17,126	19,981
	4K	1,373	1,962	2,748	4,121	5,109	6,895	7,661	9,219	10,536	11,853	12,861	15,841	17,822	20,791
	5K	1,426	2,038	2,854	4,281	5,550	7,163	7,959	9,578	10,946	12,315	14,400	16,457	18,514	21,600
	BUG Rating	B1-U0-G0	B1-U0-G0	B2-U0-G1	B2-U0-G1	B3-U0-G1	B3-U0-G1	B3-U0-G1	B3-U0-G2	B3-U0-G2	B3-U0-G2	B4-U0-G2	B4-U0-G2	B4-U0-G2	B4-U0-G3
F = Type V with LumaLens	3K	NOT AVAILABLE									8,077	9,231	10,385	12,115	
	4K	NOT AVAILABLE									8,404	9,604	10,805	12,606	
	5K	NOT AVAILABLE									8,732	9,978	11,225	13,097	
	BUG Rating	NOT AVAILABLE									B3-U3-G2	B3-U3-G3	B3-U3-G3	B3-U3-G3	

Please refer to the fixture's IES file for detailed information. Subject to change.

STYLE OPTIONS



W5 Shade, 4W Midsection



W5 Shade, 16W Midsection



W5 Shade, Louvered Midsection



W5 Shade, Solid Midsection



Cast Rings (shown w/ W1 shade)



Pole Mount (SMPR/S)



Side Mount, Wall (SMW)

STYLE OPTIONS



W1 Shade, 4W Midsection



W1 Shade, 16W Midsection



W1 Shade, Louvered Midsection



W1 Shade, Solid Midsection



W2 Shade, 4W Midsection



W2 Shade, 16W Midsection



W2 Shade, Louvered Midsection



W2 Shade, Solid Midsection



W4 Shade, 4W Midsection



W4 Shade, 16W Midsection

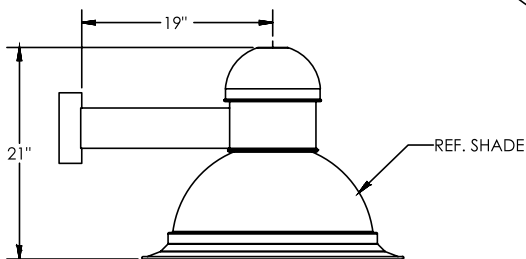
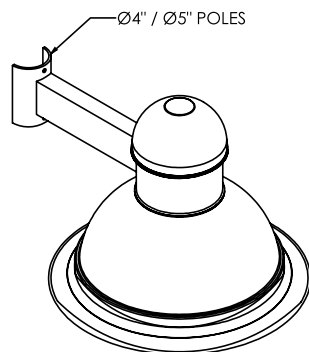
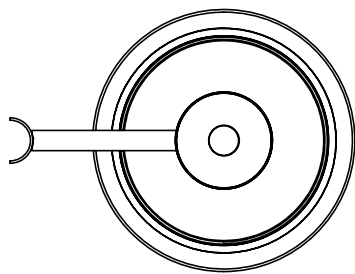


W4 Shade, Louvered Midsection

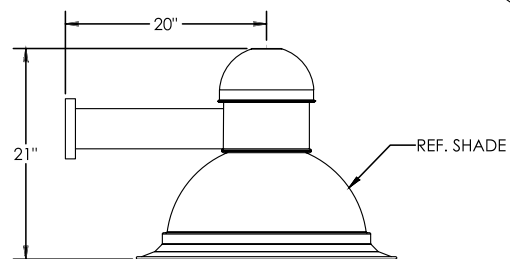
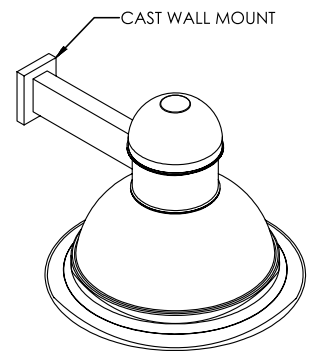
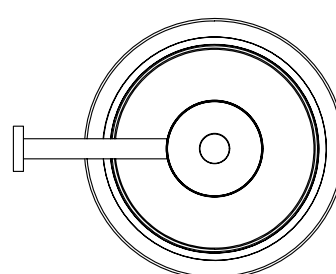


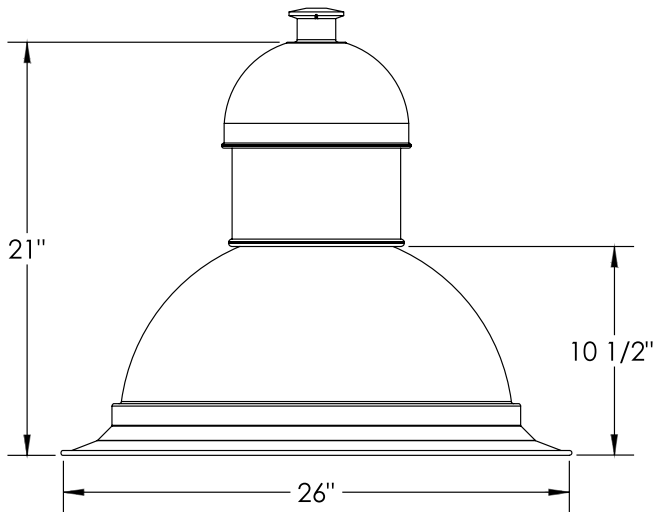
W4 Shade, Solid Midsection

Pole Mount Dimensions

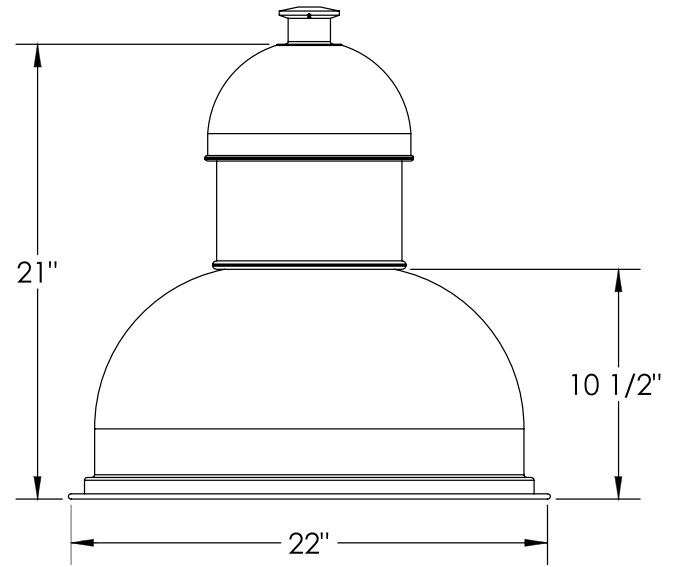


Wall Mount Dimensions

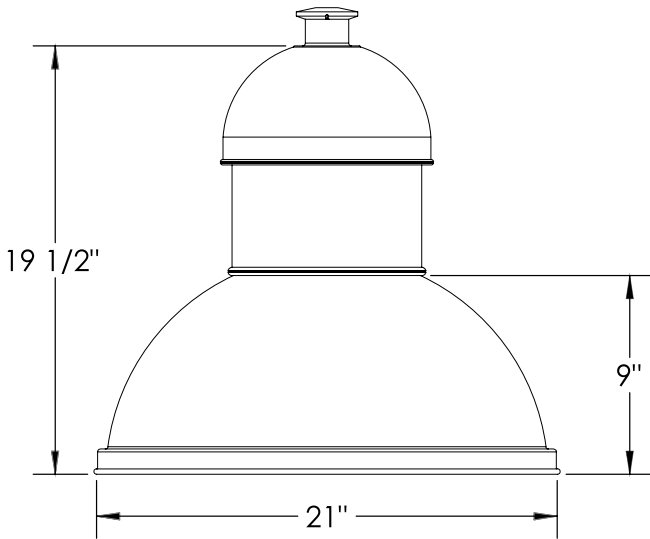




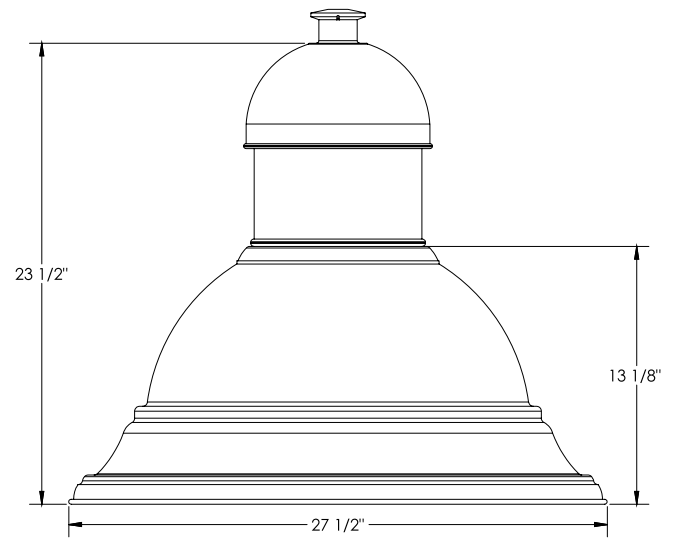
W1 Shade



W2 Shade



W4 Shade



W5 Shade