

DESCRIPTION

Introducing the EVO Series, a 4" diameter cylinder luminaire crafted with a robust aluminum housing and glass lenses. With a stylish design suitable for both indoor and outdoor use on residential or commercial buildings, the EVO luminaire offers versatility. The series features an internal switch, allowing installers to choose between downlight, uplight, or up/downlight options. Available in 3000K, 4000K, and 5000K color temperatures, this luminaire sets the perfect ambiance for various architectural settings. The Energy Star Qualified EVO Series is an excellent choice for indoor/outdoor spaces, including schools, commercial buildings, medical complexes, and residential applications.



| | |
|----------|--|
| Client: | |
| Order #: | |
| Project: | |
| Type: | |

FEATURES

- Available in 3000k (warm white), 4000k (neutral white), and 5000k (cool white) color temperatures.*
- Long-life LEDs provide up to 153,000 hours of operation with at least 70% of initial lumen output (L70).**
- CYL-UPDN provides a range of 2,446 to 2,509 nominal lumens and 82 lumens per watt (lm/W)*.
- Internal switch allows a choice of down light or up/down light.
- 120 AC voltage (50/60Hz) is standard.
- Power factor > 0.90.
- Color rendering index > 80.
- Aluminum housing and glass lenses.
- Dark bronze power coat finish.
- Easy installation in new construction or retrofit.

PERFORMANCE DATA

CRI

80+

CCT

3000K, 4000K, 5000K

Projected Lifetime

>153,000 Hours (L70)

Dimming

0-10V Dimming Standard, 10% down to 100%

Operating Temperature

-40°C to +50°C Ambient

Warranty

5 year Standard
10 year Optional

ORDERING INFORMATION

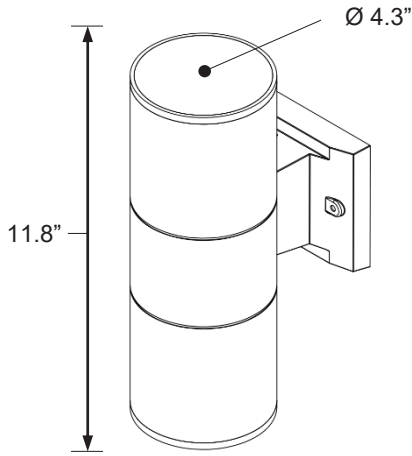
| | | | | | |
|------------|--|--|--|--|--|
| EVO | | | | | |
|------------|--|--|--|--|--|

| B | | C | | D | | E | | F | |
|----------|-----------------------|------------|--|----------|--|----------|--|----------------------------------|--|
| A | FIXTURE SERIES | C | | D | | E | | F | |
| | EVO | CCT | | U | | BZ | | WARRANTY² | |
| | | 30 | | 120-277V | | Bronze | | - | |
| | | 40 | | 200-480V | | Black | | 5 Year Warranty | |
| B | WATTAGE/LUMENS | 50 | | | | White | | 10 | |
| | 30 | 5000K | | | | | | 10 Year Warranty | |
| | 30W/2460 ¹ | | | | | | | 10L | |
| | | | | | | | | 10 Year Warranty including labor | |

¹Delivered Lumens (5000K)

² 5 Year Warranty is Standard unless specified

DIMENSIONS



| Diameter | Height | Weight |
|----------|--------|----------|
| 4.3" | 11.8" | 2.7 lbs. |

OTHER VIEWS



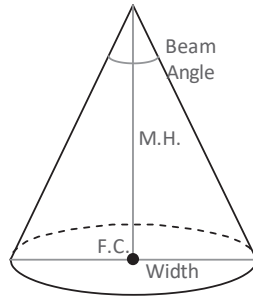
PHOTOMETRIC DATA

EVO

Luminaire Data

| | |
|-----------------|-----------------------|
| Description | Up/Downm Cylinder, 3K |
| Total Lumens | 2,509 |
| Input Wattage | 30 |
| Efficacy (lm/W) | 82 |
| Beam Angle | H=45.1, V=45.1 |
| Field Angle | H=86.9, V=86.9 |

Cone of Light



Candela Table (lm)

| | |
|------|-------|
| 0° | 1,746 |
| 10° | 1,512 |
| 20° | 997 |
| 30° | 589 |
| 40° | 277 |
| 50° | 22 |
| 60° | 6 |
| 70° | 4 |
| 80° | 4 |
| 90° | 0 |
| 100° | 4 |
| 110° | 4 |
| 120° | 6 |
| 130° | 22 |
| 140° | 277 |
| 150° | 589 |
| 160° | 997 |
| 170° | 1,512 |
| 180° | 1,745 |

Zonal Lumen Summary

| Zone | Lumens | %Fixt |
|---------|--------|--------|
| 0-20° | 506 | 20.2% |
| 0-30° | 858 | 34.2% |
| 0-40° | 1,131 | 45.1% |
| 0-60° | 1,243 | 49.6% |
| 0-80° | 1,253 | 49.9% |
| 0-90° | 1,254 | 50.0% |
| 90-180° | 1,254 | 50.0% |
| 0-180° | 2,509 | 100.0% |

| M.H. | F.C. | Width |
|------|------|-------|
| 4' | 109 | 3.3' |
| 6' | 48 | 5.0' |
| 8' | 27 | 6.6' |
| 10' | 17 | 8.3' |
| 12' | 12 | 10.0' |
| 14' | 9 | 11.6' |
| 16' | 7 | 13.3' |

Polar Graph

