

Client:	
Order #:	
Project:	
Type:	

DESCRIPTION

Efficient and cost-effective, the RLCS Canopy/Parking Garage fixture offers a swift payback period and seamless installation. Designed as an economical retrofit solution for 70-250W HID garage and canopy luminaires, the RLCS series is available in 3 wattages, with selectable CCT and wattage. Its single lens covers up to 4 DLC distribution categories, making it a versatile choice for various lighting needs. The standard internal controls receptacle allows for easy field installation of controls (sold separately). Featuring a single-screw design, the luminaire enables quick access to the interior for surface conduit connections or controls installation. Additional options include factory-installed battery backup, 480V, and a White finish. Simplify Canopy/Parking Garage lighting with the RLCS family!



PERFORMANCE DATA

CRI

80+

CCT

4000K, 5000K

Projected Lifetime

>149,000 Hours (L70)
>44000 Hours (L90)

Dimming

0-10V Dimming Standard,
10% down to 100%

Operating Temperature

-40°C to +40°C Ambient

Warranty

5 year Standard
10 year Optional

FEATURES

- Field selectable 3000k (warm white), 4000k (neutral white), and 5000k (cool white) color temperatures.*
- Long-life LEDs provide 149,000 hours of operation with at least 70% of initial lumen output (L70), and 44,000 hours with at least 90% of initial lumen output (L90).**
- LED chromaticity based on < 6-step ANSI quadrangles.
- LED color maintenance < 0.002 chromaticity shift ($\Delta u'v'$) over the initial 6,000 hours of operation.
- RLCS Canopy/Parking Garage fixture provides a range of 6,800 to 10,500 nominal lumens.*
- Universal 120-277 AC voltage (50-60Hz) is standard.
- 0-10vdc dimming drivers are standard.
- Mounting options include surface-mounting and pendant-mounting using 3/4" electrical conduit.
- Optional occupancy/daylight sensor provides both on/off and dimming functions.
- Power factor > 0.90.
- Total harmonic distortion < 20%.
- Color rendering index > 80.
- Die cast aluminum housing with dark bronze or white powder coat finish.
- Polycarbonate lens.
- Easy installation in new construction or retrofit.

ORDERING INFORMATION

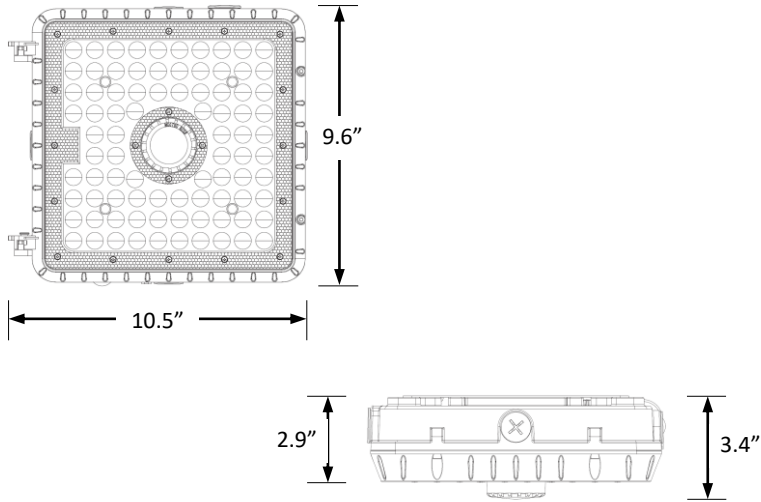
RLCS						
-------------	--	--	--	--	--	--

	B	C	D	E	F	G
A	FIXTURE SERIES					
	RLCS	Canopy/Parking Garage fixture				
B	WATTAGE/LUMENS					
	47	47W/7228 ¹				
	57	57W/8312 ¹				
	73	73W/9967 ¹				
C	CCT					
	30	3000K				
	40	4000K				
	50	5000K				
D	VOLTAGE					
	U	120-277V				
E	FINISH					
	BZ	Bronze				
	WH	White				
F	OPTIONS					
	ODS	Microwave occupancy, dimming, & daylight sensor (factory installed)				
	N	No Sensors				
G	WARRANTY²					
	-	5 Year Warranty				
	10	10 Year Warranty				
	10L	10 Year Warranty including labor				

¹Delivered Lumens (5000K)

² 5 Year Warranty is Standard unless specified

DIMENSIONS



OTHER VIEWS



PHOTOMETRIC DATA

RLCS

Luminaire Data

Description	Canopy 10L 5K - LKFS
Total Lumens	9,993
Input Wattage	73
Efficacy (lm/W)	137
Spacing Criterion (0-180°)	1.14
Spacing Criterion (90-270°)	1.04

Zonal Lumen Summary

Zone	Lumens	%Fixt
0-20°	1,245	12.5%
0-30°	2,530	25.3%
0-40°	3,946	39.5%
20-50°	4,143	41.5%
40-70°	4,839	48.4%
0-60°	6,942	69.5%
0-80°	9,872	98.8%
0-90°	9,993	100.0%
90-180°	0	0.0%
0-180°	9,993	100.0%

