

Client:	
Order #:	
Project:	
Type:	

DESCRIPTION

The NWRTL LED Fixture series effortlessly upgrades fluorescent troffers to cutting-edge LED technology, ideal for commercial spaces. These fixtures offer seamless installation and significant cost savings, featuring an LED center basket troffer light with integrated Bluetooth mesh networked control module. Designed for various indoor applications, it is compatible with a networked lighting control (NLC) system for enhanced functionality. With efficacies up to 152 lumens per watt, these fixtures provide balanced lighting for a comfortable environment.

FEATURES

- UL Listed
UL 1598 Suitable for damp locations
- IESNA LM79 & LM-80 Testing
Paclights LED luminaires have been tested by an independent laboratory in accordance with IESNA LM-79 and LM-80.
- DLC Qualification
Selected models of this product are on the Design Lights Consortium (DLC) Qualified Products List and are eligible for rebates from DLC Member Utilities. To view our DLC qualified products.
- LEDs
Long-life, high-ecacy, surface-mount LEDs
- Housing
Durable cold rolled steel housing provides strength and uniformity. Luminaire is pre-painted to enhanced smooth finish.
- Mounting Methods
 - T-grid lay-in (standard)
 - Surface mount (optional)
 - Drywall recessed flange (optional)
 - Suspended (optional)
- Green Technology
Mercury and UV free, and RoHS compliant. Polyester powder coat finish formulated without the use of VOC or toxic heavy metals.

PERFORMANCE DATA

CRI	80+
CCT	3000K, 3500K, 4000K, 5000K
Projected Lifetime	>100,000 Hours (L70)
Dimming	0-10V Dimming Standard, 10% down to 100%
Operating Temperature	-20°C to +45°C Ambient
Warranty	5 year Standard 10 year Optional

ORDERING INFORMATION

NWRTL						
--------------	--	--	--	--	--	--

	B	C	D	E	F	G
A	FIXTURE SERIES					
	NWRTL					
B	WATTAGE/LUMENS 2x2 Ft					
	35	35W/4480 ¹				
	WATTAGE/LUMENS 2x4 Ft					
	45	45W/5760 ¹				
	WATTAGE/LUMENS 1x4 Ft					
	30	30W/3840 ¹				
C	CCT					
	30	3000K				
	35	3500K				
	40	4000K				
	50	5000K				
D	VOLTAGE					
	UNV	120-277V				
E	FINISH					
	WH	White				
F	OPTIONS					
	EM	Emergency				
G	WARRANTY²					
	-	5 Year Warranty				
	10	10 Year Warranty				
	10L	10 Year Warranty including labor				

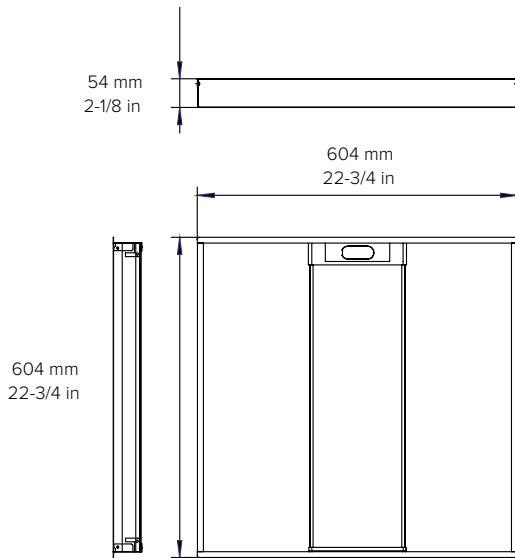
¹Delivered Lumens (5000K)

² 5 Year Warranty is Standard unless specified

TECHNICAL SPECIFICATIONS Continued

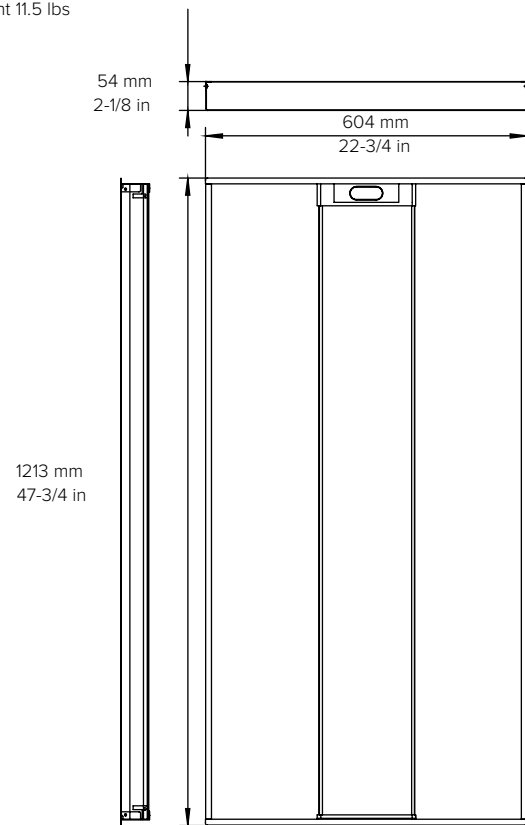
NWRTL - (2x2 Ft)

Weight 6.9 lbs



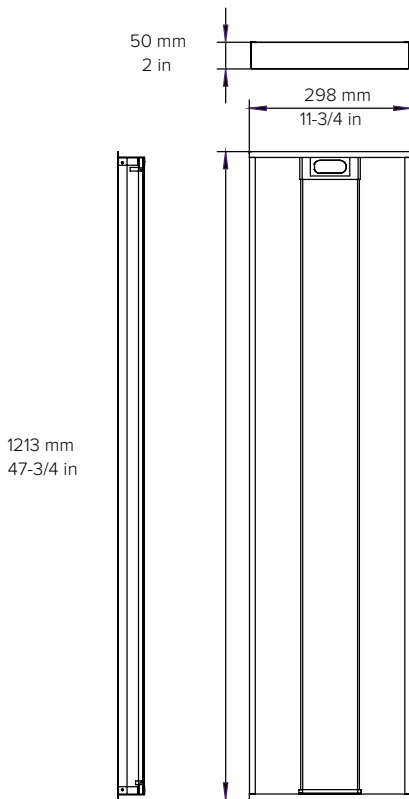
NWRTL - (2x4 Ft)

Weight 11.5 lbs



NWRTL - (1x4 Ft)

Weight 7.8 lbs



FIELD ADJUSTABLE Standard

APP-ADJUSTABLE CCT & LUMEN



OUTPUT & CCT
FIELD
ADJUSTABLE

Trim to the desired output lumen by percentage, or select light color temperature by using the smart device APP.

CCT can be adjusted to 3000/3500/4000/5000K, and lumen output (high trim) can be set to as low as 50%.

EMERGENCY BACKUP Optional

EMERGENCY BACKUP (-EM)



EMERGENCY
BACKUP
OPTION

NWRTL series emergency backup models works out of the box to save time and cost in the installation. When there is a power outage, the emergency backup driver and battery will power the LEDs of FTFN to an brightness of 1,200 lumen for at least 90 mins.

Note: -EM option will not provide battery backup for FTFN integrated bluetooth networked components, a RTC device (purchased separately) is recommended per zone if scheduling function is required, otherwise a local time sync (using the smart device APP) will be required after each power outage.

CONTROL Standard

Networked Lighting Controls



All models of NWRTL are Bluetooth Networked Control (NLC) Enabled.

Network Lighting Controls (NLC) offer Luminaire Level Lighting Control (LLC) based on Bluetooth-enabled Mesh Networking of Luminaires. Individual addressability enables luminaires to be communicated with each other within the zone/network. Luminaires can be grouped, trim and controlled by using the smart device app or connected wall switches. Scheduling, scene and sensors can be added for automation among the lights within the zone/group.



iOS/Android APP will be used to commissioning or customize settings of the networked controls.



(-WBP) Optional plug-and-play PIR occupancy and daylight harvesting sensor.

PERFORMANCE

NWRTL - (2x2 Ft)

35W	3000K Warm	3500K Warm	4000K Neutral	5000K Daylight
LUMENS	4,375	4,410	4,445	4,480
LM/W	125	126	127	128

NWRTL - (2x4 Ft)

45W	3000K Warm	3500K Warm	4000K Neutral	5000K Daylight
LUMENS	5,625	5,670	5,715	5,760
LM/W	125	126	127	128

NWRTL - (1x4 Ft)

30W	3000K Warm	3500K Warm	4000K Neutral	5000K Daylight
LUMENS	3,750	3,780	3,810	3,840
LM/W	125	126	127	128

* Max lumen values are shown for each CCT, can be trimmed to the desired output lumen (by percentage) in the App.

NETWORKED CONTROLS MADE EASY

Keilton Networked Controls, a DLC® Qualified Networked Lighting Controls Product, make it easy for facilities to save energy, improve occupancy comfort and achieve code compliance by adding Luminaire Level Lighting Controls (LLLC) to indoor and outdoor applications. It allows for easy field installation of sensors and network nodes with selected PacLights controls ready fixtures. Using the Keilton app, nodes can be commissioned without the need for a gateway or internet access.

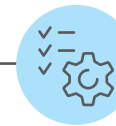
Keilton®



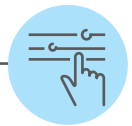
A Cost-Effective Decentralized Architecture
Direct Mobile Device Provisioning
Best-In-Class Scale, Performance & Reliability



INSTALL



COMMISSION




CONTROL



FEATURES

- Luminaire Level Lighting Control (LLLC)
- Bluetooth-enabled Mesh Networking of Luminaires and Devices
- Individual Addressability, address individual or multiple luminaires
- High-end and Low-end Trim
- Zoning & Grouping
 - ◊ Add and control up to 100 devices per zone
 - ◊ Add unlimited zones to scale for bigger installation
 - ◊ Create unlimited groups (combination of sensor or network nodes) within a zone
 - ◊ Link and control the whole group or zone
- Scene control
 - ◊ Create and link scenes to individual lights or groups within a zone
 - ◊ Select scene with App or wall switch
- Time Scheduling for individual lights, groups or scenes
- Sensors integrated with BLE, occupancy and daylight sensing
- Multi-level Dimming, Daylight Harvesting and Occupancy controls
- Manual/Automatic ON/OFF and Automatic partial ON/OFF control capability
- Control via smart device App or wireless wall switch
- Secure commissioning with Keilton App
- Up to 100 ft node-to-node and 50 ft node-to-device
- Other control features to meet code compliance

OPTIONAL SENSOR ADD-ON

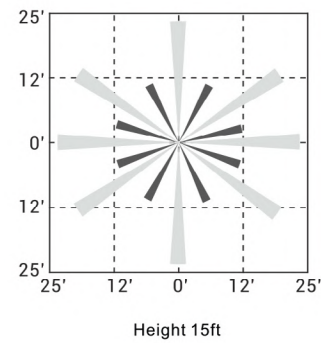
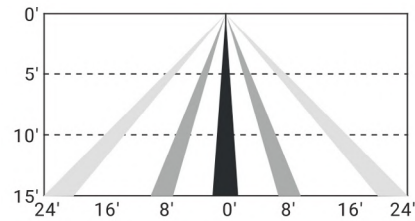
SKU	DESCRIPTION	FUNCTION	OPTION ORDER CODE
KEILTON-IFS108E	 KEILTON IFS108E ECO PIR DLH SENSOR	Enable sensor functionality to a NLC node - PIR occupancy & daylight (harvesting) sensing.	-WBP



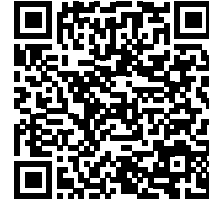
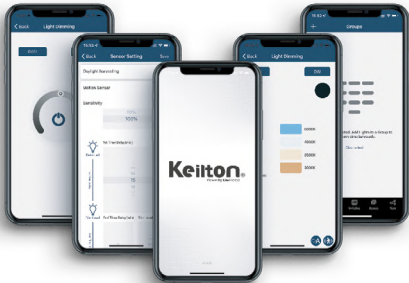
without sensor





with sensor installed




COMMISSION & CONTROL SMART DEVICE APP



NETWORKED WALL SWITCH

SKU	DESCRIPTION	FUNCTION	APPLICATION
KEILTON-WP1025	 <p>KEILTON WP1025 BATTERY 5 BUTTON BLUETOOTH DIMMER SWITCH W/ SCENE CONTROLLER</p>	Switch on/off, dim, or select up to 3 scenes, of an individual light or a group of lights (defined in the commissioning App). Battery powered.	Field installed, ideal for flexible or additional wall switch placement, indoor
KEILTON-WP1017S	 <p>KEILTON WP1017S AC 7 BUTTON BLUETOOTH DIMMER SWITCH W/ SCENE CONTROLLER</p>	Switch on/off, dim, or select up to 4 scenes, of an individual light or a group of lights (defined in the commissioning App). 120-277v AC powered.	Field installed, ideal for retrofitting existing wall switch, neutral wire (AC) is required, indoor

OTHER

SKU	DESCRIPTION	FUNCTION	APPLICATION
KEILTON-CR01	 <p>KEILTON CR01 ENERGY MONITORING USB DONGLE W/ RTC</p>	Records energy consumption of the assigned Zone. Offers real-time-clock (RTC) Sync of the Zone. USB (5v) powered, internal battery for RTC.	Field installed, one per Zone to satisfy energy audit, or to provide off-the-App time/schedule recovery from power-outage of the site.