



Client:	
Order #:	
Project:	
Type:	

DESCRIPTION

FEATURES

- Field selectable color temperatures include 3500k, 4000k and 5000k.
- Long-life LEDs provide 137,000 hours of operation with at least 70% of initial lumen output (L70), and 42,000 hours with at least 90% of initial lumen output (L90).
- LED chromaticity based on < 5-step ANSI quadrangles.
- LED color maintenance < 0.002 chromaticity shift over the initial 6,000 hours of operation.
- Provides 6,000, 14,000, or 20,000 nominal lumens using 42, 100, or 150 nominal watts.

- Universal 120-277 AC voltage (50-60Hz) is standard
- 0-10vdc dimming drivers are standard.
- Power factor > 0.90.
- Total harmonic distortion < 20%.
- Color rendering index > 80.
- Polycarbonate housing and frosted lenses are standard.
- Easy installation in new construction or retrofit.

PERFORMANCE DATA

CRI

80+

CCT

3500K, 4000K, 5000K

Projected Lifetime

>137,000 Hours (L70)

Dimming

0-10V Dimming Standard,
10% down to 100%

Operating Temperature

-20°C to 50°C Ambient

Warranty

5 year Standard
10 year Optional

ORDERING INFORMATION

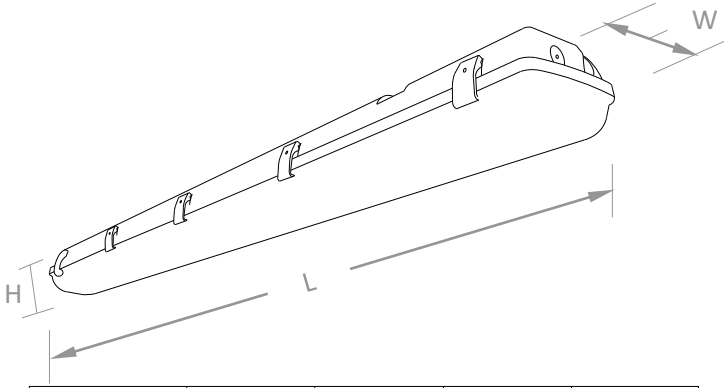
RHVP						
-------------	--	--	--	--	--	--

	B	C	D	E	F	G
A	FIXTURE SERIES		C		MOUNTING	
	RHVP		35	3500K	TR	Trunion
B	WATTAGE/LUMENS		40	4000K	G	WARRANTY²
	44	44W/6105 ¹	50	5000K	-	5 Year Warranty
	99	99W/13956 ¹	D		10	10 Year Warranty
	150	150W/20590 ¹	VOLTAGE		10L	10 Year Warranty including labor
			U	120-277V		
			E			
			FINISH			
			WH	White		

¹Delivered Lumens (5000K)

² 5 Year Warranty is Standard unless specified

DIMENSIONS



Model	Length (L)	Width (W)	Height (H)	Weight
RHVP-44	45.7"	4.7"	4.3"	4 lbs.
RHVP-99	50"	10"	4.1"	13 lbs.
RHVP-150	50"	10"	4.1"	14 lbs.

PHOTOMETRIC DATA

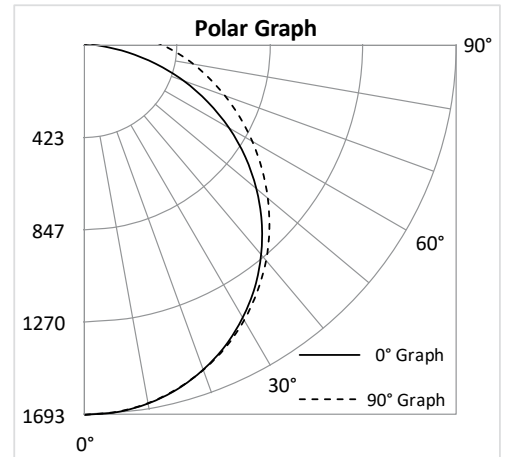
RHVP-44

Luminaire Data

Description	4' Vapor Tight 6L 35K - KFS
Total Lumens	5,965
Input Wattage	44
Efficacy (lm/W)	136
Spacing Criterion (0-180°)	1.28
Spacing Criterion (90-270°)	1.28

Zonal Lumen Summary

Zone	Lumens	%Fixt
0-20°	621	10.4%
0-30°	1,323	22.2%
0-40°	2,180	36.5%
20-50°	2,468	41.4%
40-70°	2,476	41.5%
0-60°	3,942	66.1%
0-80°	5,183	86.9%
0-90°	5,526	92.6%
90-180°	439	7.4%
0-180°	5,965	100.0%



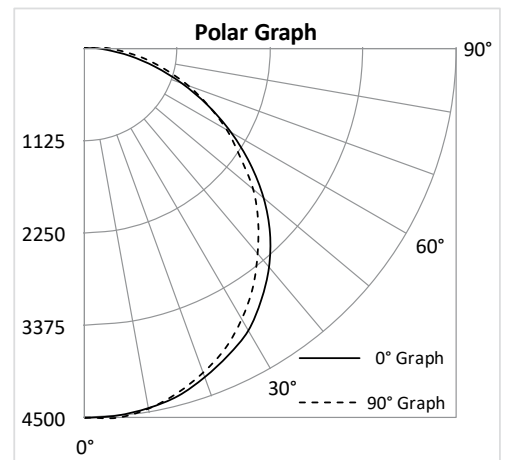
RHVP-99

Luminaire Data

Description	4' Vapor Tight 14L 35K - KFS
Total Lumens	13,673
Input Wattage	100
Efficacy (lm/W)	137
Spacing Criterion (0-180°)	1.32
Spacing Criterion (90-270°)	1.26

Zonal Lumen Summary

Zone	Lumens	%Fixt
0-20°	1,653	12.1%
0-30°	3,534	25.8%
0-40°	5,815	42.5%
20-50°	6,529	47.8%
40-70°	6,136	44.9%
0-60°	10,316	75.4%
0-80°	12,962	94.8%
0-90°	13,392	97.9%
90-180°	281	2.1%
0-180°	13,673	100.0%



RHVP-150

Luminaire Data

Description	4' Vapor Tight 20L 35K - KFS
Total Lumens	20,380
Input Wattage	150
Efficacy (lm/W)	136
Spacing Criterion (0-180°)	1.32
Spacing Criterion (90-270°)	1.28

Zonal Lumen Summary

Zone	Lumens	%Fixt
0-20°	2,470	12.1%
0-30°	5,280	25.9%
0-40°	8,691	42.6%
20-50°	9,761	47.9%
40-70°	9,147	44.9%
0-60°	15,414	75.6%
0-80°	19,327	94.8%
0-90°	19,959	97.9%
90-180°	421	2.1%
0-180°	20,380	100.0%

