

Client:	
Order #:	
Project:	
Type:	

PERFORMANCE DATA

CRI

80+

CCT

3000K, 3500K, 4000K

Projected Lifetime

>50,000 Hours (L70)

Dimming

0-10V Dimming Standard,
10% down to 100%

Operating Temperature

-20°C to 40°C Ambient

Warranty

5 year Standard
10 year Optional

DESCRIPTION

The indirect LED troffer offers a traditional modern design with the latest lighting technology. Transparent optics engineered specifically for LED sources are integrated with minimalist design and architectural materials to create a broad range of solutions with superior optical and energy performance. High performing optics allows for maximum energy savings and optimal illumination in a ultra-minimalistic shallow recessed fixture, provides a unique translucent appearance without sacrificing performance.

It is architectural recessed lighting solution that compatible for commercial and institutional environments, including office building, medical, health, educational, retail, hotel, airport, hospitality, etc.

FEATURES

- Available in 2x2 and 2x4 sizes
- CCT selectable from 3000K, 3500K and 4000K
- Transparent Optics
- Recessed form factor fits most T-grid systems
- Wattage adjustable, 110lm/w

ORDERING INFORMATION

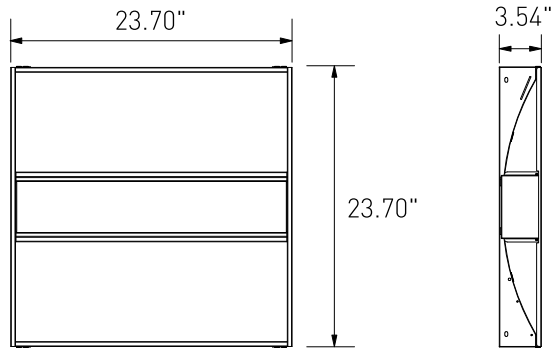
AIR		B	C	D	E	F	G	H	
A	FIXTURE SERIES			D	CCT	G		OPTIONS	
	Air				30	3000K		LD	LED Emergency Driver
B	SEZE				35	3500K		SE	Sensor
	2'x2'			E	VOLTAGE			H	WARRANTY²
	2'x4'				U	120-277V		-	5 Year Warranty
C	WATTAGE/LUMENS 2'x2'				UNV	110-347V		10	10 Year Warranty
	20	20W/2200 ¹		F	FINISH			10L	10 Year Warranty including labor
	30	30W/3300 ¹			WH	White			
	40	40W/4400 ¹							
	WATTAGE/LUMENS 2'x4'								
	30	30W/3300 ¹							
	40	40W/4400 ¹							
	50	50W/5500 ¹							

¹Delivered Lumens (5000K)

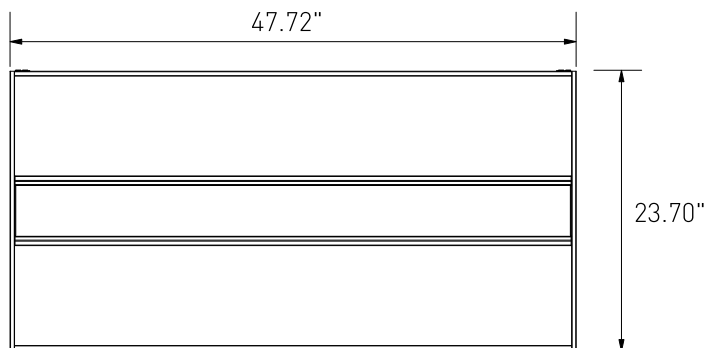
² 5 Year Warranty is Standard unless specified

DIMENSIONS

2x2ft



2x4ft



T-GRIDS CEILING COMPATIBILITY

It is architectural recessed lighting solution that compatible with most 15/16" and 9/16" t-grid systems for commercial and institutional environment. The following are only as some common examples to show.

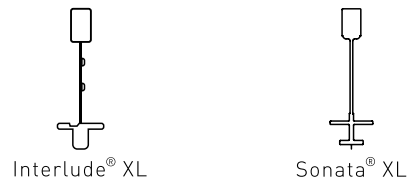
9/16" Flat



9/16" Slot



9/16" Interlude



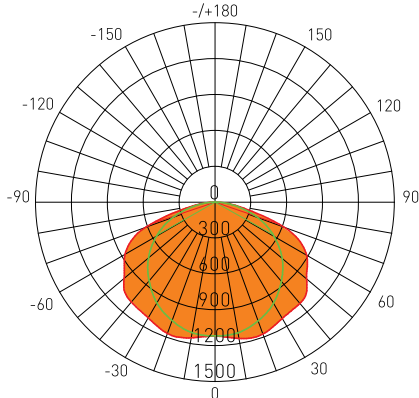
15/16" Flat



*Please verify compatibility with factory.

DISTRIBUTION DIAGRAM

2'x2' / 3500K



AVERAGE BEAM ANGLE(50%): 131.7°

Test Number: TT22-DM-04W UNIT: cd
 Lumens: 4176.3 Lm — C0/180,142.4
 Watts: 37.54 W — C90/270,120.9
 LPW: 111.25 Lm/W
 CCT: 3500K

Zonal Flux Diagram

τ	C0	C45	C90	C135	C180
10	1157	1135	1109	1132	1152
20	1173	1137	1056	1130	1168
30	1124	1084	977.9	1075	1118
40	1105	998.6	863.3	985.1	1090
50	999.8	923.2	733.5	902.0	992.9
60	883.4	772.7	570.2	758.8	868.6
70	615.3	567.1	381.9	552.9	618.6
80	191.9	213.5	168.0	217.0	190.9
90	1.700	1.859	1.366	1.957	2.187
100	2.024	1.918	1.081	1.844	1.101
110	3.018	2.687	1.908	2.654	1.854
120	3.523	2.799	2.082	2.732	1.920
130	3.279	2.414	2.692	2.378	1.938
140	2.295	1.607	2.463	1.499	1.956
150	2.206	0.8639	2.039	0.9721	1.678
160	1.662	0.8615	2.106	1.014	1.721
170	1.850	1.026	2.062	1.154	1.711
180	1.683	1.091	2.463	1.269	1.680
DEG	LUMINOUS INTENSITY:cd				

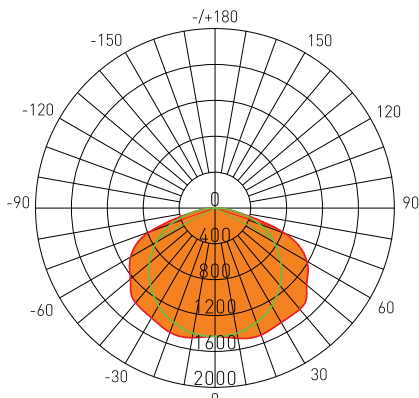
Zonal Lumens

τ	φ total
0-10	107.6
10-20	428.0
20-30	935.2
30-40	1579
40-50	2310
50-60	3044
60-70	3686
70-80	4070
80-90	4164
90-100	4166
100-110	4168
110-120	4170
120-130	4172
130-140	4174
140-150	4175
150-160	4176
160-170	4176
170-180	4176
	UNIT: lm

Luminance cd/(m2)

G(DEG)	C0/180	C90/270
85	10615	8417
80	11061	9663
75	14172	10589
70	18004	11156
65	18637	11393
60	17682	11393
55	16434	11394
50	15566	11400
45	15284	11333

2'x4' / 3500K



AVERAGE BEAM ANGLE(50%): 133.4°

Test Number: TT24-DM-04W UNIT: cd
 Lumens: 5460.4 Lm — C0/180,142.8
 Watts: 48.81 W — C90/270,124.1
 LPW: 111.87 Lm/W
 CCT: 3500K

Zonal Flux Diagram

τ	C0	C45	C90	C135	C180
10	1476	1453	1419	1442	1467
20	1506	1462	1356	1431	1475
30	1475	1412	1264	1363	1415
40	1472	1332	1124	1261	1380
50	1334	1257	965.4	1162	1233
60	1183	1052	764.1	969.1	1087
70	829.5	785.9	526.3	724.8	776.3
80	233.4	277.8	238.8	270.1	223.4
90	1.578	2.350	14.28	2.462	1.629
100	1.451	2.109	2.911	2.214	1.815
110	2.116	2.843	2.507	2.676	2.042
120	2.355	2.863	1.316	2.762	2.115
130	2.238	2.051	1.134	1.924	1.950
140	1.839	1.085	0.9668	0.8426	1.870
150	1.415	0.7827	0.9557	0.7437	1.752
160	1.088	0.7829	1.002	0.7228	1.633
170	1.312	0.8800	1.262	0.9410	1.667
180	1.390	0.9644	1.314	1.081	1.632
DEG	LUMINOUS INTENSITY:cd				

Zonal Lumens

τ	φ total
0-10	137.5
10-20	546.5
20-30	1197
30-40	2032
40-50	2987
50-60	3952
60-70	4807
70-80	5325
80-90	5448
90-100	5451
100-110	5454
110-120	5456
120-130	5458
130-140	5459
140-150	5459
150-160	5460
160-170	5460
170-180	5460
	UNIT: lm

Luminance cd/(m2)

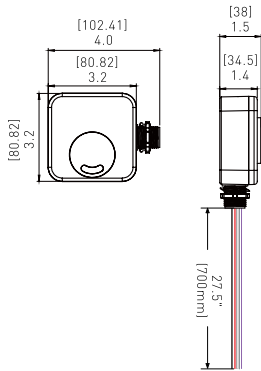
G(DEG)	C0/180	C90/270
85	11179	12390
80	13456	13747
75	18946	14805
70	24285	15384
65	24922	15466
60	23686	15279
55	22066	15111
50	20773	15016
45	20368	14854

MICROWAVE SENSOR OPTION

Line Voltage Daylight Harvest / Bi-Level



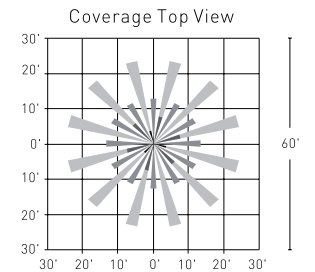
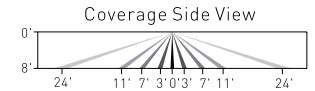
DIP Switch



Specifications

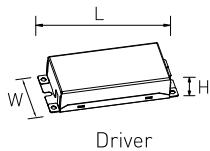
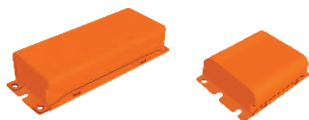
Operating Voltage	120/277VAC, 50Hz/60Hz
Switching Capacity	Resistive/Halogen-800W/1200@120/277V Fluorescent Ballast-660W/1200@120/277V Electronic Ballast(LED/CFL)-5A/5A@120/277V
Stand-by Power	≤0.5W
Detection Area	20%/50%/75%/100%
Hold Time	10s/1min/5min/10min/15min/20min/30min/60min
Daylight Threshold	10Lux/30Lux/50Lux
Stand-by Period	1min/30min/60min/+∞
Stand-by Dimming Level	0%/10%/30%/50%
Microwave Frequency	5.8GHz±5MHz
Microwave Power	< 0.2mW
Mounting Height	Max.6m
Detection Range	Max.8m
Control Line	VIOLET+,GRAY-,RED L'Out, WHITE N, BLACK L in
Operating Temperature	-40°C~+70°C
IP Rating	IP20
Detection Angle	360°

Detection Pattern

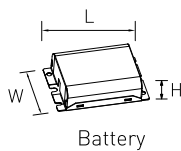


EMERGENCY OPTION

Up to 120 minutes in event of power failure



Driver



Battery

Model		L	W	H
EM-S0854-LBN	Driver	5.08	2.05"	0.99"
	Battery	3.47"	2.33"	0.97"

Specifications

Output Power	8 Watts
Output Voltage	15-54V DC
Input Current	70 mA (Max)
Input Power	3.2 Watts (Max)
Input Voltage	100-277VAC, 50-60Hz
Emergency Operation	≥90 Minutes
Standby Power	< 0.4W
Operating Temp	0°C to 50°C
Battery	Lithium
Recharge	24 Hrs
Compatible LED Luminaire	LED Driver Output Current: 5A Max
Dimensions	Driver: L5.08"×W2.05"×H0.99", Battery: L3.47"×W2.33"×H0.97"
Certificate	UL , CEC
Output Class	UL LELV (Output protection self-resetting)

