

Client:	
Order #:	
Project:	
Type:	

DESCRIPTION

RGAS Light is an ideal solution for budget-friendly, canopy lighting. It can be used in commercial buildings, parking lot structures, gas stations, secure entryways, exterior canopies and many other applications. When replacing up to 400W MH, it can save about 86% of energy. Excellent heat dissipation structure design features and precision optical design provide a good lighting effect with a lifetime of up to 50,000 hours accompanied by excellent optical performance.

FEATURES

- Die-cast aluminum housing secures the thermally conductive LED panel and electrical chamber.
- Casting thermally conducts LED heat to optimize performance and long life.
- With corrosion-resistant powder coating that provides protection and architectural appearance while adapting well to the indoor and outdoor environment.
- Light engines are available in standard 4000 K and 5000 K (70 CRI) configurations.
- Scalable Lumen Packages from 10,000 to 23,000 Lumens.
- Tempered glass lens is designed for excellent light output and uniformity.
- The optional Type III light type provides corner illumination without wasting light.

PERFORMANCE DATA

CRI

70+

CCT

4000K, 5000K

Projected Lifetime

>50,000 Hours (L70)

Dimming

0-10V Dimming Standard, 10% down to 100%

Operating Temperature

-40°C to 50°C Ambient

Warranty

5 year Standard
10 year Optional

ORDERING INFORMATION

RGAS						
-------------	--	--	--	--	--	--

	B	C	D	E	F	G
A	FIXTURE SERIES					
	RGAS					
B	WATTAGE/LUMENS					
	65	65W/10000 ¹				
	98	98W/15000 ¹				
	100	100W/15000 ¹				
	135	135W/20000 ¹				
	145	145W/21000 ¹				
	150	150W/22000 ¹				
	160	160W/23000 ¹				
C	CCT					
			40	4000K		
			50	5000K		
D	VOLTAGE					
			U	120-277V		
			H	347-480V		
E	FINISH					
			BL	Black		
			WH	White		
			SL	Silver		
			BZ	Dark Bronze		
			CU	Custom		
F	CONTROL					
					Blank	Without control
					M	With Sensor
					AD	With Adjustment Dia
					MAD	With Motion Sensor and Adjustment Dia
G	WARRANTY²					
					-	5 Year Warranty
					10	10 Year Warranty
					10L	10 Year Warranty including labor

¹Delivered Lumens (5000K)

² 5 Year Warranty is Standard unless specified

PERFORMANCE DATA

RGAS 65W (General Distribution)						
SETTING	SYSTEM WATTS	DISTRIBUTION	4000K		5000K	
			LUMENS (70CRI)	LPW (70CRI)	LUMENS (70CRI)	LPW (70CRI)
100%	65W	General	10000lm	154 lm/W	10000lm	154 lm/W
80%	52W	General	8200lm	158 lm/W	8200lm	158 lm/W
60%	39W	General	6300lm	162 lm/W	6300lm	162 lm/W
40%	26W	General	4400lm	169 lm/W	4400lm	169 lm/W

RGAS 98W (General Distribution)						
SETTING	SYSTEM WATTS	DISTRIBUTION	4000K		5000K	
			LUMENS (70CRI)	LPW (70CRI)	LUMENS (70CRI)	LPW (70CRI)
100%	98W	General	15000lm	153 lm/W	15000lm	153 lm/W
80%	78W	General	12300lm	158 lm/W	12300lm	158 lm/W
60%	59W	General	9600lm	163 lm/W	9600lm	163 lm/W
40%	39W	General	6700lm	172 lm/W	6700lm	172 lm/W

RGAS 100W (General Distribution)						
SETTING	SYSTEM WATTS	DISTRIBUTION	4000K		5000K	
			LUMENS (70CRI)	LPW (70CRI)	LUMENS (70CRI)	LPW (70CRI)
100%	100W	General	15000lm	150 lm/W	15000lm	150 lm/W
80%	80W	General	12300lm	154 lm/W	12300lm	154 lm/W
60%	60W	General	9600lm	160 lm/W	9600lm	160 lm/W
40%	40W	General	6700lm	166 lm/W	6700lm	166 lm/W

RGAS 135W (General Distribution)						
SETTING	SYSTEM WATTS	DISTRIBUTION	4000K		5000K	
			LUMENS (70CRI)	LPW (70CRI)	LUMENS (70CRI)	LPW (70CRI)
100%	135W	General	21000lm	156 lm/W	21000lm	156 lm/W
80%	108W	General	17500lm	162 lm/W	17500lm	162 lm/W
60%	81W	General	13600lm	168 lm/W	13600lm	168 lm/W
40%	54W	General	9500lm	176 lm/W	9500lm	176 lm/W

RGAS 135W (Type III Distribution)						
SETTING	SYSTEM WATTS	DISTRIBUTION	4000K		5000K	
			LUMENS (70CRI)	LPW (70CRI)	LUMENS (70CRI)	LPW (70CRI)
100%	135W	Type III	20000lm	148 lm/W	20000lm	148 lm/W
80%	108W	Type III	16300lm	151 lm/W	16300lm	151 lm/W
60%	81W	Type III	12700lm	157 lm/W	12700lm	157 lm/W
40%	54W	Type III	8800lm	163 lm/W	8800lm	163 lm/W

RGAS 150W (General Distribution)						
SETTING	SYSTEM WATTS	DISTRIBUTION	4000K		5000K	
			LUMENS (70CRI)	LPW (70CRI)	LUMENS (70CRI)	LPW (70CRI)
100%	150W	General	23000lm	153 lm/W	23000lm	153 lm/W
80%	120W	General	19000lm	158 lm/W	19000lm	158 lm/W
60%	90W	General	14800lm	164 lm/W	14800lm	164 lm/W
40%	60W	General	10200lm	170 lm/W	10200lm	170 lm/W

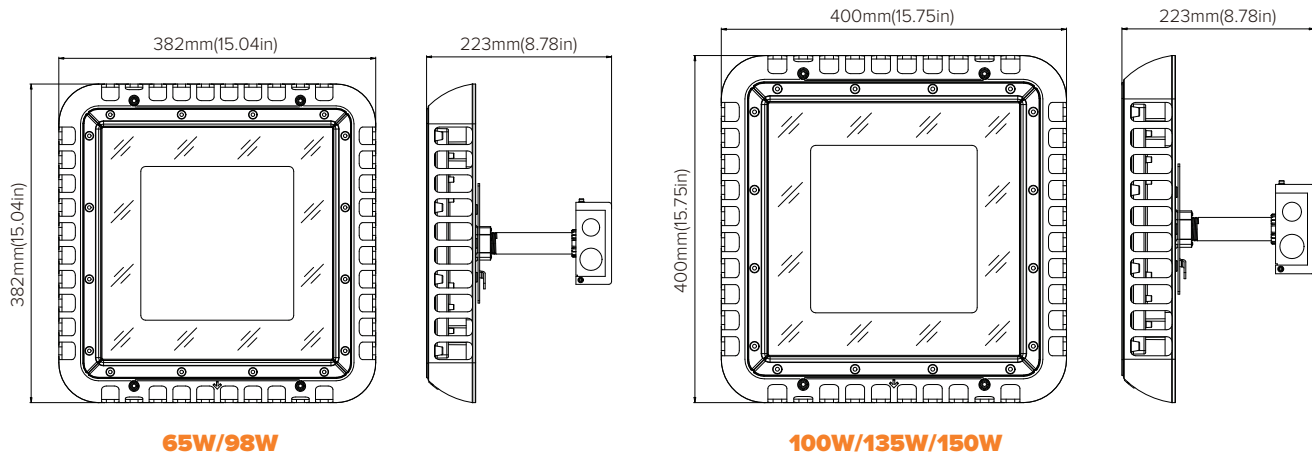
RGAS 150W (Type III Distribution)						
SETTING	SYSTEM WATTS	DISTRIBUTION	4000K		5000K	
			LUMENS (70CRI)	LPW (70CRI)	LUMENS (70CRI)	LPW (70CRI)
100%	150W	Type III	22000lm	147 lm/W	22000lm	147 lm/W
80%	120W	Type III	18000lm	150 lm/W	18000lm	150 lm/W
60%	90W	Type III	14000lm	156 lm/W	14000lm	156 lm/W
40%	60W	Type III	9700lm	162 lm/W	9700lm	162 lm/W

ELECTRICAL DATA


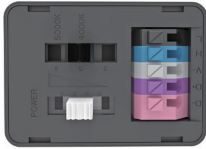

NUMBER OF DRIVERS	DRIVER CURRENT (mA)	NOMINAL POWER (W)	INPUT VOLTAGE (V)	CURRENT (Amps)
1	1750	65	120	0.54
		65	208	0.31
		65	240	0.27
		65	277	0.23
		65	347	0.19
		65	480	0.14
1	2600	98	120	0.82
		98	208	0.47
		98	240	0.41
		98	277	0.35
		98	347	0.28
		98	480	0.20
1	2600	100	120	0.83
		100	208	0.48
		100	240	0.42
		100	277	0.36
		100	347	0.29
		100	480	0.21
1	1200	135	120	1.13
		135	208	0.65
		135	240	0.56
		135	277	0.49
		145	347	0.42
		145	480	0.30
1	1200	150	120	1.25
		150	208	0.72
		150	240	0.63
		150	277	0.54
		160	347	0.46
		160	480	0.33

DIMENSION

unit: mm/inch



ACCESSORIES (Optional)

		
<p>Spring fitting</p>	<p>Power Controller USE: The wattage can be changed by switch selection on the controller.</p>	<p>Microwave Sensor, 12V Description: Sensor can be built-in fixture.</p>

PHOTOMETRICS

