

MOUNTING ACCESSORIES



APB - Arm Pole Bracket
Fits both 4 and 5 inch Round and Square Poles simplifying project specifications.



SPF - Slip Fitter for 2 3/8 In Tenon
Allows for angle adjustment and installation onto horizontal 2 3/8 O.D. pole top tenon adapters.



WMB - Wall Mount Bracket
Wall mount is easy to install for direct wall mounting with 1/2 In conduit wiring or standard J Box mounting.

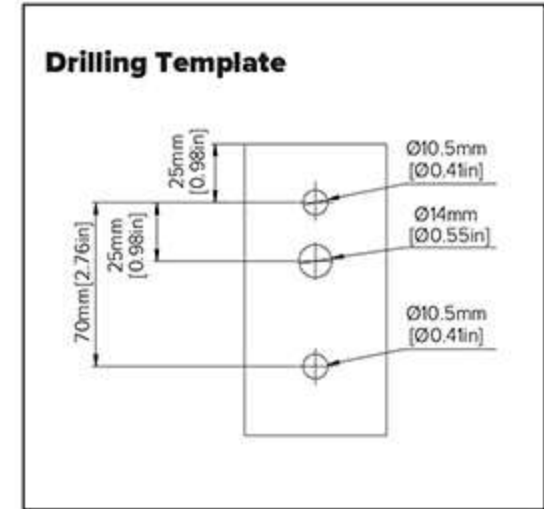
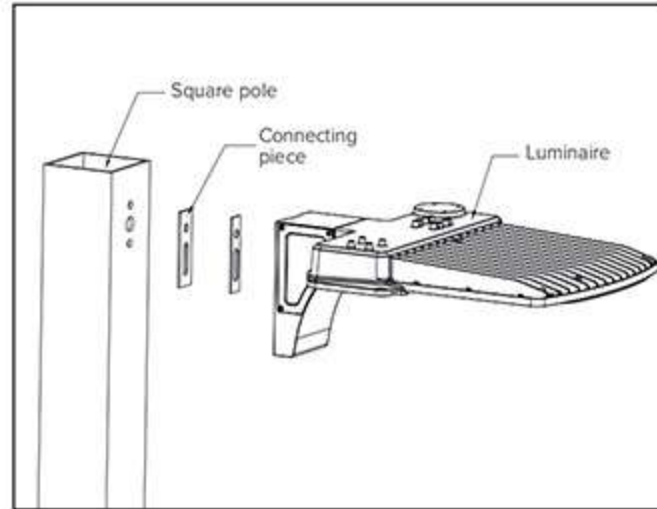
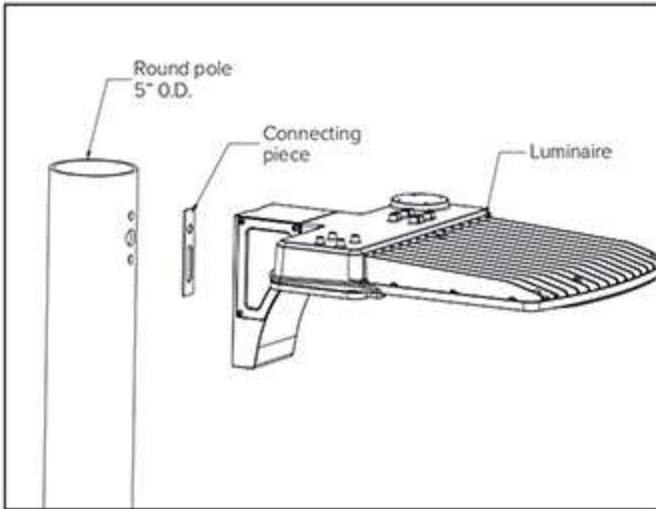


YKM - Yoke Mount
Die cast aluminum yoke mount easily adapts to many surfaces and with angle adjustment for fixture aiming.



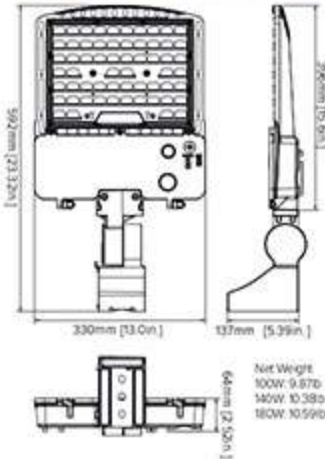
AAPB - Adjustable Arm Bracket
Versatile adjustable mounting arm fit both 4 and 5 Inch Round and Square poles great for retrofitting existing parking lot and area lights. (NO PC)

APB/AAPB - MOUNTING DIAGRAMS

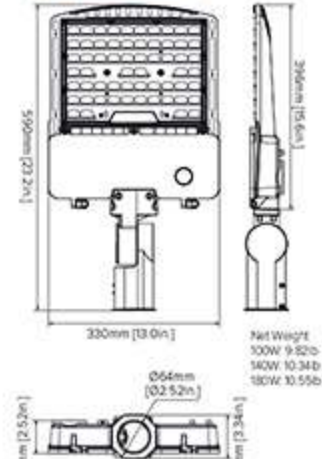


DIMENSION
unit: inch/mm

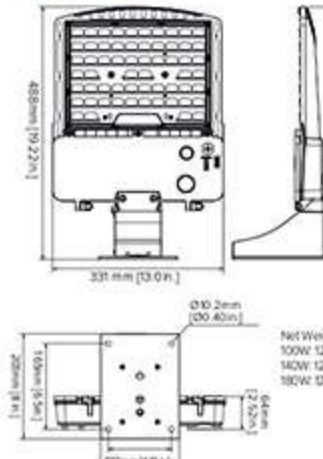
100W/140W/180W (Adjustable Square Mount)



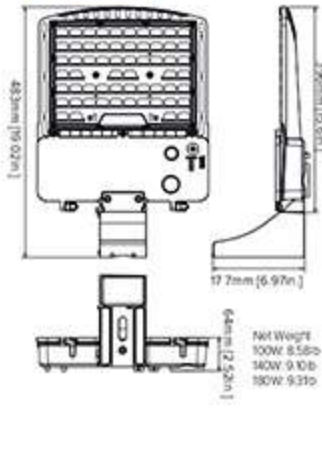
100W/140W/180W (Slipfitter Mount)



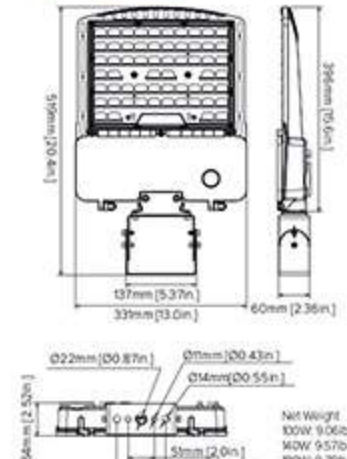
100W/140W/180W (Wall Mount)



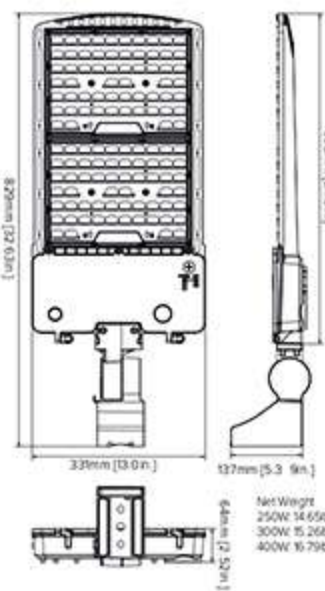
100W/140W/180W (Pole Mount)



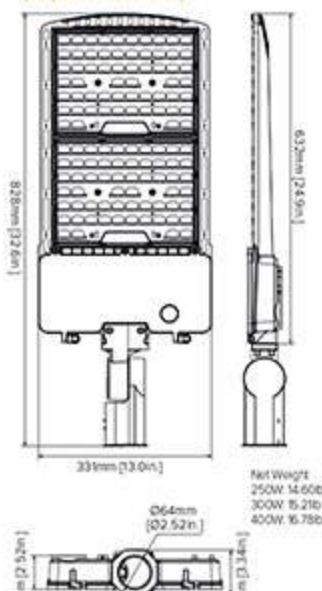
100W/140W/180W (Yoke Mount)



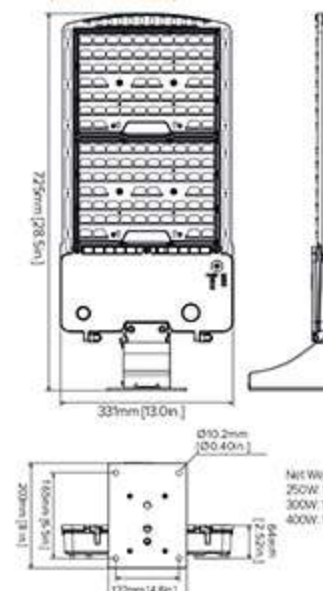
250W/300W/400W (Adjustable Square Mount)



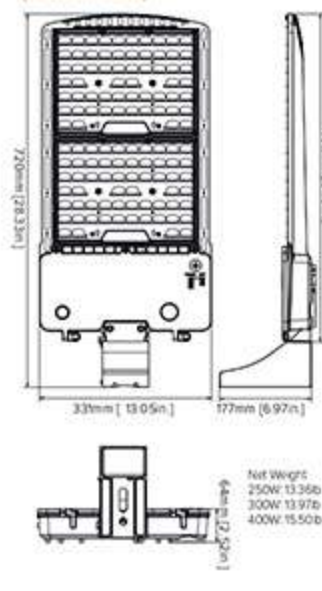
250W/300W/400W (Slipfitter Mount)



250W/300W/400W (Wall Mount)



250W/300W/400W (Pole Mount)



250W/300W/400W (Yoke Mount)

