

Client:	
Order #:	
Project:	
Type:	

DESCRIPTION

The RFHB 2.0 series represents an affordable yet reliable solution for warehouse and high-bay lighting needs. Its linear and compact design not only adds a stylish touch but also ensures durability, all while achieving significant energy savings of up to 66% compared to traditional lighting sources. With an outstanding thermal management system that enhances fixture longevity, the RFHB 2.0 is well-suited for warehousing, expansive indoor areas, as well as retail and commercial applications.

FEATURES

- Rugged cold-rolled steel plate corrosion-resistant housing.
- Ultra-Compact, Sturdy Design saves freight and space on lifts and racks during installation.
- Visual comfortable light comes from a simple contour.
- Lumen output from 15,000-31,000lm with efficacy up to 158lm/W.
- Switchable color temperature 4000K/5000K.
- Semi-frosted Diffuser for max lumen output.
- Prismatic diffuser for least glare light.
- The aisle optics for a excellent vertical illumination in areas such as aisles.

PERFORMANCE DATA

CRI

70+

CCT

4000K, 5000K

Projected Lifetime

>50,000 Hours (L70)

Dimming

0-10V Dimming Standard,
10% down to 100%

Operating Temperature

-40°C to +50°C Ambient

Warranty

5 year Standard
10 year Optional

ORDERING INFORMATION

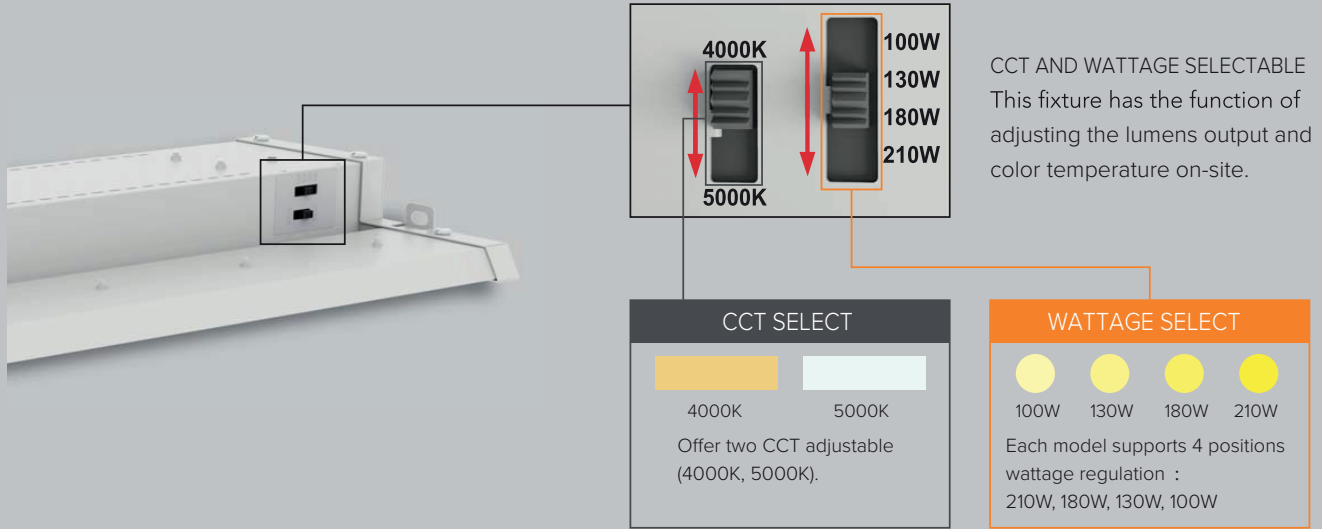
RFHB 2.0						
-----------------	--	--	--	--	--	--

	B	C	D	E	F	G
A	FIXTURE SERIES					
	RFHB 2.0					
B	WATTAGE/LUMENS					
	100	100W/14800 ¹				
	130	130W/20000 ¹				
	145	145W/20500 ¹				
	180	180W/26000 ¹				
	190	190W/26000 ¹				
	210	210W/30000 ¹				
	225	225W/31000 ¹				
C	CCT					
	40	4000K				
	50	5000K				
D	VOLTAGE					
	U	120-277V				
	H	347-480V				
E	FINISH					
	WH	White				
F	OPTIONS					
	PH	Pendant Hanger				
	ST	Steel Wire Rope				
	WG	Wire Guard				
	EM15	Emergency Battery 15W 2000lm				
	MSP	Plug-and-Play PIR Sensor				
	SFD	Semi-frosted Diffuser (High efficacy)				
	PB	Prismatic bittuser (Low glare)				
	TD	Textured Diffuser (Aisle Optic)				
G	WARRANTY²					
	-	5 Year Warranty				
	10	10 Year Warranty				
	10L	10 Year Warranty including labor				

¹Delivered Lumens (5000K)

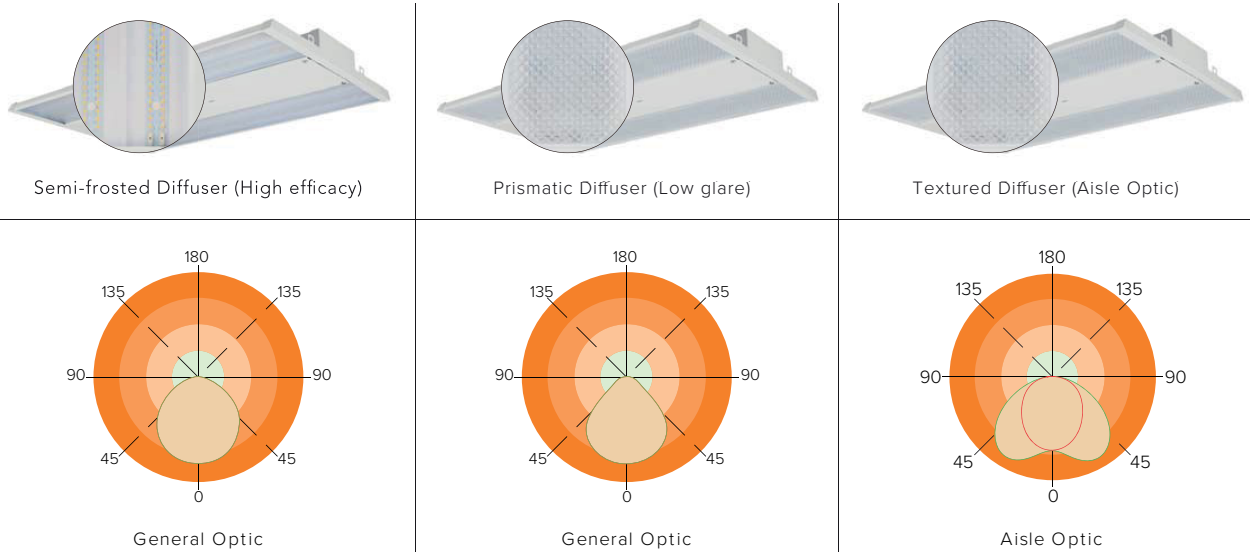
² 5 Year Warranty is Standard unless specified





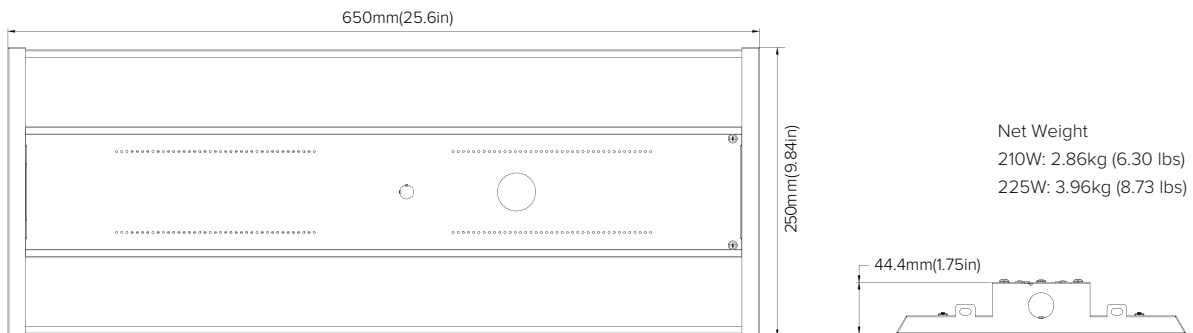
OPTICS OPTIONS

Various optics diffusers and mounting options covering all your application needs.



DIMENSION

unit: mm/inch



PERFORMANCE DATA

RFHB 2.0 210W (Semi-frosted Diffuser)						
DLC Standard						
SETTING	SYSTEM WATTS	VOLTAGE	4000K (70CRI)		5000K (70CRI)	
			LUMENS	LPW	LUMENS	LPW
100%	210W	120-277VAC	30000lm	143lm/W	30000lm	143lm/W
80%	180W	120-277VAC	26000lm	144lm/W	26000lm	144lm/W
60%	130W	120-277VAC	20000lm	154lm/W	20000lm	154lm/W
40%	100W	120-277VAC	14800lm	148lm/W	14800lm	148lm/W

RFHB 2.0 210W (Prismatic Diffuser)						
DLC Premium						
SETTING	SYSTEM WATTS	VOLTAGE	4000K (70CRI)		5000K (70CRI)	
			LUMENS	LPW	LUMENS	LPW
100%	210W	120-277VAC	30500lm	145lm/W	30500lm	145lm/W
80%	180W	120-277VAC	26200lm	146lm/W	26200lm	146lm/W
60%	130W	120-277VAC	20000lm	154lm/W	20000lm	154lm/W
40%	100W	120-277VAC	14800lm	148lm/W	14800lm	148lm/W

RFHB 2.0 210W (Aisle Optic)						
SETTING	SYSTEM WATTS	VOLTAGE	4000K (70CRI)		5000K (70CRI)	
			LUMENS	LPW	LUMENS	LPW
100%	210W	120-277VAC	28000lm	133lm/W	28000lm	133lm/W
80%	180W	120-277VAC	24400lm	136lm/W	24400lm	136lm/W
60%	130W	120-277VAC	18200lm	140lm/W	18200lm	140lm/W
40%	100W	120-277VAC	14500lm	145lm/W	14500lm	145lm/W

RFHB 2.0 225W (Semi-frosted Diffuser)						
DLC Standard						
SETTING	SYSTEM WATTS	VOLTAGE	4000K (70CRI)		5000K (70CRI)	
			LUMENS	LPW	LUMENS	LPW
100%	225W	347/480VAC	31000lm	138lm/W	31000lm	138lm/W
80%	190W	347/480VAC	26000lm	137lm/W	26000lm	137lm/W
60%	145W	347/480VAC	20500lm	141lm/W	20500lm	141lm/W
40%	110W	347/480VAC	15000lm	136lm/W	15000lm	136lm/W






RFHB 2.0 225W (Prismatic Diffuser)						
DLC Premium						
SETTING	SYSTEM WATTS	VOLTAGE	4000K (70CRI)		5000K (70CRI)	
			LUMENS	LPW	LUMENS	LPW
100%	225W	347/480VAC	31000lm	138lm/W	31000lm	138lm/W
80%	190W	347/480VAC	26000lm	137lm/W	26000lm	137lm/W
60%	145W	347/480VAC	20500lm	141lm/W	20500lm	141lm/W
40%	110W	347/480VAC	15000lm	136lm/W	15000lm	136lm/W

RFHB 2.0 225W (Aisle Optic)						
SETTING	SYSTEM WATTS	VOLTAGE	4000K (70CRI)		5000K (70CRI)	
			LUMENS	LPW	LUMENS	LPW
100%	225W	347/480VAC	28200lm	125lm/W	28200lm	125lm/W
80%	190W	347/480VAC	24300lm	128lm/W	24300lm	128lm/W
60%	145W	347/480VAC	19200lm	132lm/W	19200lm	132lm/W
40%	110W	347/480VAC	15000lm	136lm/W	15000lm	136lm/W

ELECTRICAL DATA

NUMBER OF DRIVERS	DRIVER CURRENT (mA)	NOMINAL POWER (W)	INPUT VOLTAGE (V)	CURRENT (Amps)
1	1060	210	120	1.75
		210	208	1.01
		210	240	0.88
		210	277	0.76
		225	347	0.65
		225	480	0.47

ACCESSORIES (Optional)

 <p>PIR Sensor, 120-277V PIR sensor: MSP Bluetooth PIR sensor: MSP</p>	 <p>Plug-and-Play PIR Sensor PIR sensor: MSP Bluetooth PIR sensor: MSP</p>	 <p>Emergency Battery Backup USE: 15W, 2000lm, 90min.</p>
 <p>Steel Wire Rope USE: Chain mounting.</p>	 <p>Pendant Hanger USE: Pendant with 3/4" conduit.</p>	 <p>Wire Guards</p>

MOUNTING



Mounting With Steel Wire Rope

Conduit Pendant Mount

Surface Mounting

Power and CCT controller

The wattage and CCT can be changed by switch selection on the controller, provides quick and easy on-the-spot reconfiguring, eliminating any go-backs.

Emergency Battery

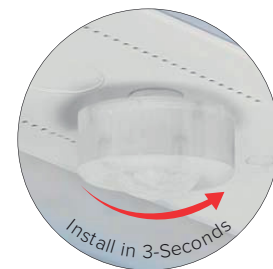
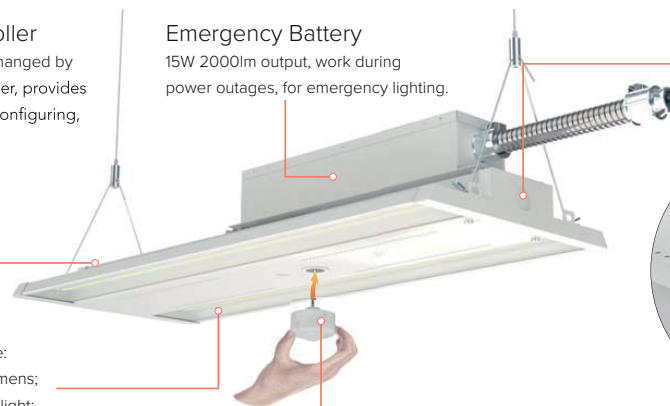
15W 2000lm output, work during power outages, for emergency lighting.

Threaded Conduit

Support wires coming from the hole for easier wire connections.

Diffuser Panel

3 types of diffusers are available:
Semi-frosted diffuser for max lumens;
Prismatic diffuser for least glare light;
The aisle optics for a excellent vertical illumination in areas such as aisles.



Plug-and-Play Sensor

Sensor allows for security and energy saving.