



Client:	
Order #:	
Project:	
Type:	

**PERFORMANCE DATA**

**CRI**

80+

**CCT**

3000K, 3500K, 4000K

**Projected Lifetime**

>50,000 Hours (L80)

**Dimming**

0-10V Dimming Standard,  
10% down to 100%

**Operating Temperature**

-20°C to +40°C Ambient

**Warranty**

5 year Standard  
10 year Optional



**DESCRIPTION**

Introducing RDL-4S (4" Square ) ARCHITECTURAL Downlight series — a versatile and high-performance luminaire designed for seamless installation across various spaces. With impressive lumen outputs, precise cut-offs, and a patented design eliminating the need for a can, these fixtures offer a cost-effective and time-saving solution. The common aesthetic and identical light sources ensure color uniformity (CRI 80), providing a comprehensive lighting solution for any setting. Elevate your space with the efficiency and brilliance of the RDL-4S series.

**FEATURES**

- UL, CUL , Energy Star and Damp Rated
- 40W maximum with 4", 6", 8" and 10" trim size options
- Available in round, square, round wall wash and square wall wash trims
- Twist-lock modular design
- Integrated J-box for direct wire, eliminated recessed can
- CCT adjustable and wattage selectable
- New construction frame kit available
- **Patented PureConnect™**

**ORDERING INFORMATION**

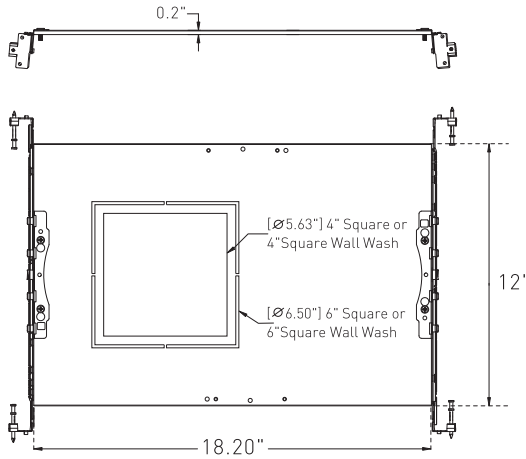
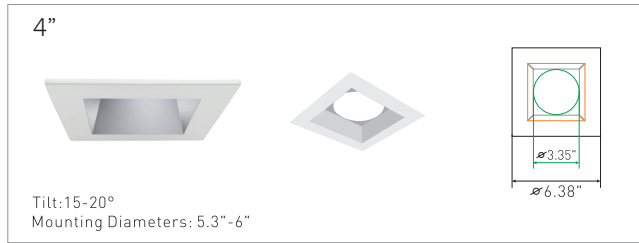
RDL-4S		B	C	D	E	F	G	
<b>A</b>	<b>FIXTURE SERIES</b>		<b>C</b>	<b>CCT</b>		<b>F</b>	<b>OPTIONS</b>	
	RDL-4S			30	3000K		EM	LED Emergency Driver
				35	3500K		SFK	4"-6" New Construction Square Frame Kit
<b>B</b>	<b>WATTAGE/LUMENS</b>			40	4000K		SFKJ	4"-6" New Construction Square Frame Kit With J-Box
	20	20W/1500 <sup>1</sup>	<b>D</b>	<b>VOLTAGE</b>		<b>G</b>	<b>WARRANTY<sup>2</sup></b>	
	40	40W/3200 <sup>1</sup>		UNV	120-277V		-	5 Year Warranty
			<b>E</b>	<b>FINISH</b>			10	10 Year Warranty
				WH	White		10L	10 Year Warranty including labor
				HZ	Haze			

<sup>1</sup>Delivered Lumens (4000K)

<sup>2</sup>5 Year Warranty is Standard unless specified



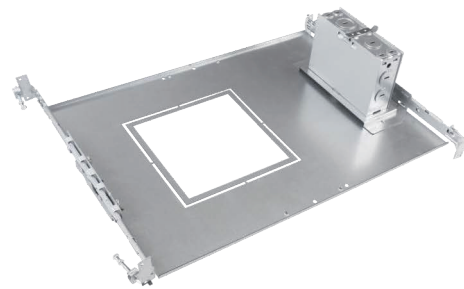
## DIMENSIONS



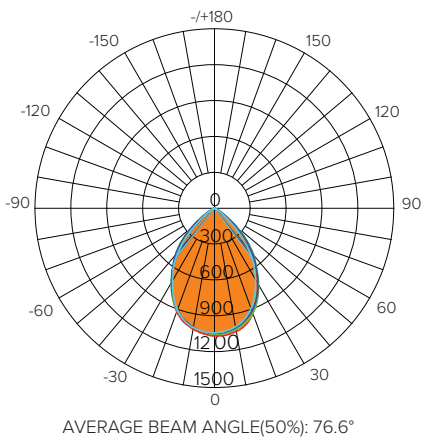
## OPTIONAL NEW CONSTRUCTION FRAME KITS



## OPTIONAL NEW CONSTRUCTION FRAME KITS WITH J-BOX



## 4" SQUARE TRIMS



Test Number: CP6-D20W-40E-S  
 Lumens: 1515.4 Lm  
 Watts: 20 W  
 LPW: 75.77 Lm/W  
 CCT: 4000K

UNIT: cd  
 — C0/180, 75.1°  
 — C30/210, 77.8°  
 — C60/240, 78.3°  
 — C90/270, 75.1°

### Zonal Flux Diagram

Y	C0	C45	C90	C135	C180
10	1047	1022	1007	992.7	1027
20	939.2	932.1	893.4	892.4	922.1
30	719.9	739.1	687.3	709.4	711.5
40	471.7	497.7	440.1	477.0	457.8
50	170.8	280.1	158.0	250.7	159.6
60	32.27	62.15	30.20	46.44	33.23
70	2.699	4.711	3.380	4.018	3.231
80	1.543	2.277	2.065	2.620	1.965
90	0.1002	0.0711	0.1300	0.0681	0.1300
100	0.0406	0.0496	0.0406	0.0406	0.0451
110	0.0587	0.1195	0.1128	0.1015	0.1038
120	0.2476	0.3584	0.3114	0.3492	0.3024
130	0.6308	0.7486	0.6814	0.7350	0.7086
140	1.149	1.193	1.150	1.217	1.205
150	1.614	1.648	1.633	1.653	1.682
160	2.155	2.061	2.043	2.088	2.156
170	2.363	2.331	2.304	2.322	2.422
180	2.498	2.444	2.431	2.415	2.503
DEG	LUMINOUS INTENSITY:cd				

### Zonal Lumens

Y	φ total
0-10	98.17
10-20	371.6
20-30	748.1
30-40	1122
40-50	1389
50-60	1490
60-70	1507
70-80	1510
80-90	1511
90-100	1511
100-110	1511
110-120	1512
120-130	1512
130-140	1513
140-150	1514
150-160	1515
160-170	1515
170-180	1515
UNIT: lm	

### Luminance cd/(m2)

G(DEG)	C0/180	C90/270
85	662	908
80	395	528
75	341	445
70	351	439
65	965	913
60	2869	2684
55	6050	5712
50	11807	10926
45	19770	18214

### ENGINE

