



Client:	
Order #:	
Project:	
Type:	

**PERFORMANCE DATA**

**CRI**

80+

**CCT**

3000K, 3500K, 4000K

**Projected Lifetime**

>50,000 Hours (L80)

**Dimming**

0-10V Dimming Standard,  
10% down to 100%

**Operating Temperature**

-20°C to +40°C Ambient

**Warranty**

5 year Standard  
10 year Optional



**DESCRIPTION**

Introducing the RDL-4SW (4" S Wall Wash) ARCHITECTURAL series — a versatile and high-performance luminaire designed for seamless installation across various spaces. With impressive lumen outputs, precise cut-offs, and a patented design eliminating the need for a can, these fixtures offer a cost-effective and time-saving solution. The common aesthetic and identical light sources ensure color uniformity (CRI 80), providing a comprehensive lighting solution for any setting. Elevate your space with the efficiency and brilliance of the RDL-4SW series.

**FEATURES**

- UL, CUL, Energy Star and Damp Rated
- 40W maximum with 4", 6", 8" and 10" trim size options
- Available in round, square, round wall wash and square wall wash trims
- Twist-lock modular design
- Integrated J-box for direct wire, eliminated recessed can
- CCT adjustable and wattage selectable
- New construction frame kit available
- **Patented PureConnect™**

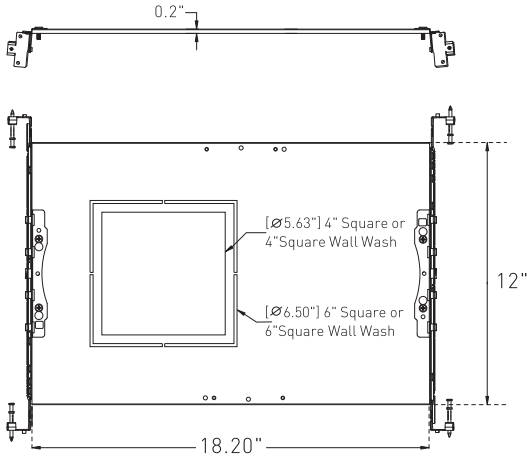
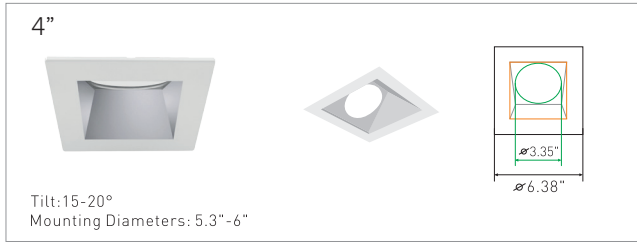
**ORDERING INFORMATION**

RDL-4SW		B	C	D	E	F	G	
<b>A</b>	<b>FIXTURE SERIES</b>							
	RDL-4SW							
<b>B</b>	<b>WATTAGE/LUMENS</b>							
	20	20W/1500 <sup>1</sup>						
	40	40W/3200 <sup>1</sup>						
<b>C</b>	<b>CCT</b>							
	30	3000K						
	35	3500K						
	40	4000K						
<b>D</b>	<b>VOLTAGE</b>							
	UNV	120-277V						
<b>E</b>	<b>FINISH</b>							
	WH	White						
	HZ	Haze						
<b>F</b>	<b>OPTIONS</b>							
	EM	LED Emergency Driver						
	SFK	4"-6" New Construction Square Frame Kit						
	SFKJ	4"-6" New Construction Square Frame Kit With J-Box						
<b>G</b>	<b>WARRANTY<sup>2</sup></b>							
	-	5 Year Warranty						
	10	10 Year Warranty						
	10L	10 Year Warranty including labor						

<sup>1</sup>Delivered Lumens (4000K)

<sup>2</sup> 5 Year Warranty is Standard unless specified

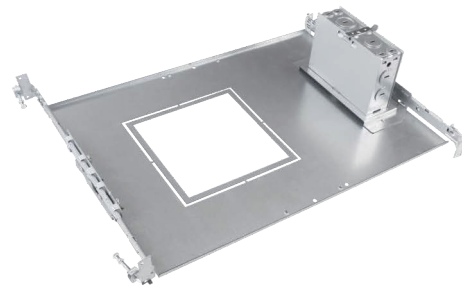
## DIMENSIONS



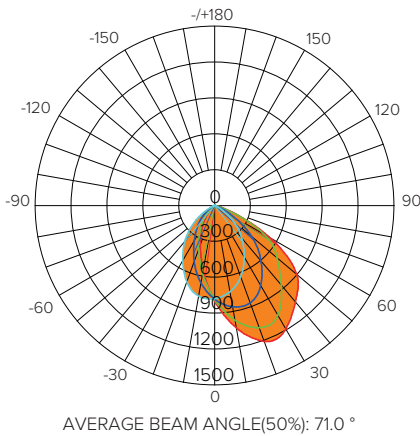
## OPTIONAL NEW CONSTRUCTION FRAME KITS



## OPTIONAL NEW CONSTRUCTION FRAME KITS WITH J-BOX



## 4" SQUARE WALL WASH



Test Number: CP6-D20W-40W-S  
Lumens: 1590.6 Lm  
Watts: 20 W  
LPW: 79.53 Lm/W  
CCT: 4000K

UNIT: cd  
— C0°/180, 65.4°  
— C30°/210, 68.8°  
— C60°/240, 72.5°  
— C90°/270, 77.0°

### Zonal Flux Diagram

Y	C0	C45	C90	C135	C180
10	1038	919.6	732.9	585.3	554.5
20	1209	984.8	638.0	411.7	353.7
30	1192	930.7	494.7	267.4	210.7
40	1053	743.2	354.7	155.9	97.27
50	896.8	548.9	205.7	66.71	21.28
60	526.2	310.4	73.90	12.46	5.292
70	136.0	73.16	14.65	4.282	4.094
80	12.17	4.784	1.600	3.400	3.395
90	0.1674	0.0925	0.0768	0.1779	0.0947
100	0.0812	0.0812	0.1175	0.2143	0.3070
110	0.0631	0.0925	0.1760	0.5996	0.7989
120	1.081	0.1646	0.3880	1.220	1.633
130	0.1577	0.2909	0.6721	1.526	2.147
140	0.3513	0.4938	0.9789	1.914	2.359
150	0.6173	0.7667	1.276	2.081	2.534
160	0.9781	1.127	1.565	2.182	2.530
170	1.433	1.522	1.781	2.153	2.340
180	1.935	1.851	1.826	1.847	1.944
DEG	LUMINOUS INTENSITY:cd				

### Zonal Lumens

Y	φ total
0-10	73.89
10-20	284.3
20-30	592.3
30-40	929.2
40-50	1235
50-60	1461
60-70	1563
70-80	1584
80-90	1586
90-100	1586
100-110	1586
110-120	1587
120-130	1588
130-140	1588
140-150	1589
150-160	1590
160-170	1590
170-180	1591
UNIT: lm	

### Luminance cd/(m2)

G(DEG)	C0/180	C90/270
85	373	694
80	3114	410
75	9473	779
70	17677	1904
65	31770	3741
60	46776	6569
55	57281	10368
50	62005	14225
45	61916	17780

### ENGINE

