



Client:	
Order #:	
Project:	
Type:	

PERFORMANCE DATA

CRI

80+

CCT

3000K, 3500K, 4000K

Projected Lifetime

>50,000 Hours (L80)

Dimming

0-10V Dimming Standard,
10% down to 100%

Operating Temperature

-20°C to +40°C Ambient

Warranty

5 year Standard
10 year Optional



DESCRIPTION

Introducing the RDL-6R (6" Round) ARCHITECTURAL Downlight series — a versatile and high-performance luminaire designed for seamless installation across various spaces. With impressive lumen outputs, precise cut-offs, and a patented design eliminating the need for a can, these fixtures offer a cost-effective and time-saving solution. The common aesthetic and identical light sources ensure color uniformity (CRI 80), providing a comprehensive lighting solution for any setting. Elevate your space with the efficiency and brilliance of the RDL-6R series.

FEATURES

- UL, CUL, Energy Star and Damp Rated
- 40W maximum with 4", 6", 8" and 10" trim size options
- Available in round, square, round wall wash and square wall wash trims
- Twist-lock modular design
- Integrated J-box for direct wire, eliminated recessed can
- CCT adjustable and wattage selectable
- New construction frame kit available
- **Patented PureConnect™**

ORDERING INFORMATION

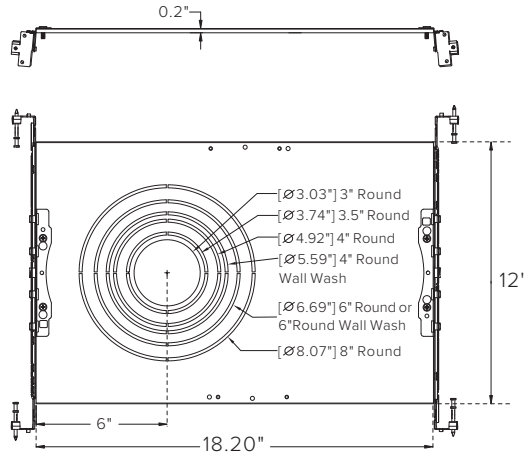
RDL-6R								
	B	C	D	E	F	G		
A	FIXTURE SERIES		CCT		OPTIONS			
	RDL-6R		30	3000K	EM	LED Emergency Driver		
B	WATTAGE/LUMENS		35	3500K	SFK	4"-6" New Construction Square Frame Kit		
	20	20W/1500 ¹	40	4000K	SFKJ	4"-6" New Construction Square Frame Kit With J-Box		
	40	40W/3200 ¹	D	VOLTAGE		G		
				UNV	120-277V		WARRANTY²	
			E	FINISH		-	5 Year Warranty	
				WH	White		10	10 Year Warranty
				HZ	Haze		10L	10 Year Warranty including labor

¹Delivered Lumens (4000K)

² 5 Year Warranty is Standard unless specified



DIMENSIONS



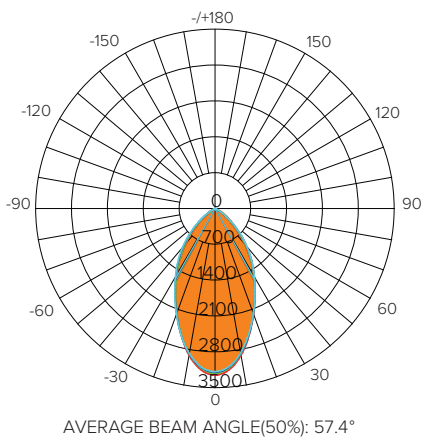
OPTIONAL NEW CONSTRUCTION FRAME KITS



OPTIONAL NEW CONSTRUCTION FRAME KITS WITH J-BOX



6" ROUND RDL-R6



Test Number: CP6-D40W-40T
 Lumens: 3328.0 Lm
 Watts: 40 W
 LPW: 83.2 Lm/W
 CCT: 4000K

UNIT: cd
 — C0/180, 56.4°
 — C30/210, 56.9°
 — C60/240, 57.9°
 — C90/270, 58.4°

Zonal Flux Diagram

Y	C0	C45	C90	C135	C180
10	2916	2896	2871	2857	2912
20	2201	2209	2188	2161	2186
30	1521	1544	1542	1506	1498
40	891.0	956.2	972.7	929.2	869.3
50	335.4	424.5	441.2	395.6	321.0
60	58.83	91.82	97.54	78.63	54.01
70	3.285	2.050	1.504	1.915	3.235
80	1.606	0.8562	0.5011	0.8066	1.591
90	0.1094	0.0676	0.0949	0.0811	0.0721
100	0.0902	0.0812	0.0857	0.0992	0.0993
110	0.1532	0.2302	0.2280	0.2212	0.1986
120	0.5046	0.6317	0.6711	0.6273	0.5778
130	1.262	1.372	1.496	1.403	1.359
140	2.366	2.405	2.542	2.450	2.455
150	3.683	3.717	3.809	3.735	3.735
160	5.157	5.110	5.117	5.088	5.184
170	6.245	6.183	6.145	6.160	6.273
180	6.732	6.710	6.593	6.620	6.755
DEG	LUMINOUS INTENSITY:cd				

Zonal Lumens

Y	φ total
0-10	289.3
10-20	997.9
20-30	1840
30-40	2601
40-50	3101
50-60	3290
60-70	3317
70-80	3318
80-90	3319
90-100	3319
100-110	3319
110-120	3320
120-130	3320
130-140	3322
140-150	3324
150-160	3326
160-170	3327
170-180	3328
	UNIT: lm

Luminance cd/(m2)

G(DEG)	C0/180	C90/270
85	742	162
80	524	163
75	497	189
70	544	249
65	1661	3557
60	6661	11045
55	15820	22953
50	29545	38863
45	47042	55891

ENGINE

