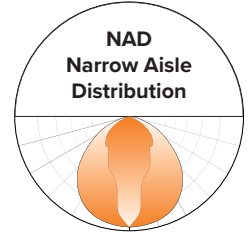
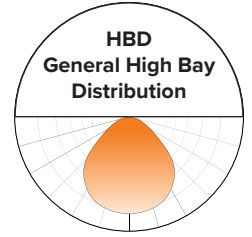


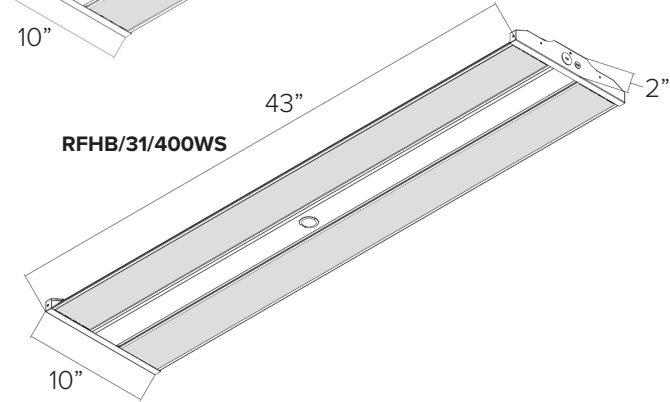
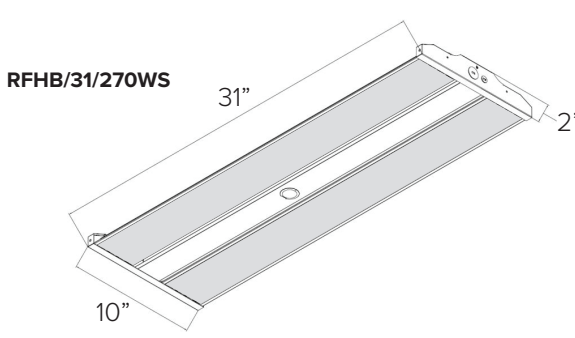
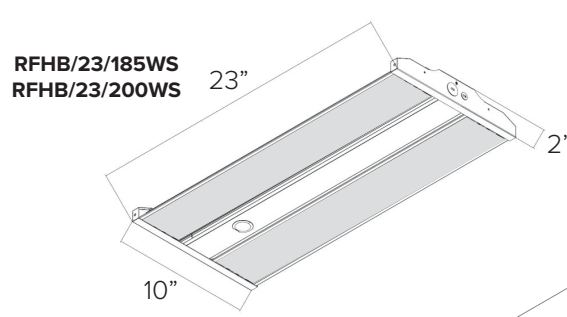
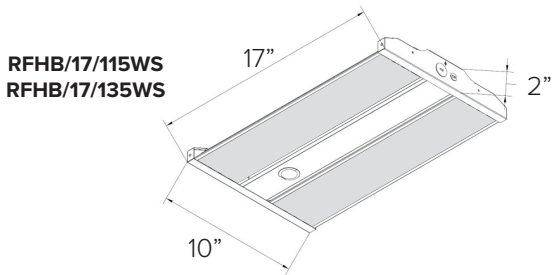
PHOTOMETRIC DATA

MODEL NUMBER	INPUT WATTAGES	LUMEN OUTPUTS*	EFFICACY
RFHB/17/115WS/CS/HBD	78W / 92W / 115W	11,700 / 13,800 / 17,250	≥150 LPW
RFHB/17/135WS/CS/HBD	100W / 115W / 135W	15,000 / 17,250 / 20,250	≥150 LPW
RFHB/23/185WS/CS/HBD	90W / 130W / 185W	13,500 / 19,500 / 27,750	≥150 LPW
RFHB/23/200WS/CS/HBD	155W / 185W / 200W	23,250 / 27,750 / 30,000	≥150 LPW
RFHB/31/270WS/CS/HBD	200W / 230W / 270W	30,000 / 34,500 / 40,500	≥150 LPW
RFHB/43/400WS/CS/HBD	270W / 340W / 400W	40,500 / 51,000 / 60,000	≥150 LPW

*Lumen Outputs based on 4000K/5000K and HBD Distribution

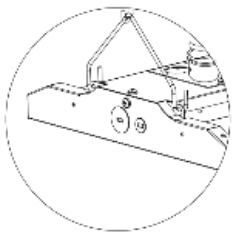


DIMENSIONS

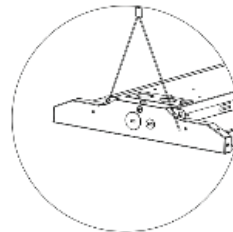


MOUNTING & WIRE GUARDS

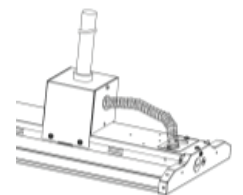
V-Hooks
(Included)



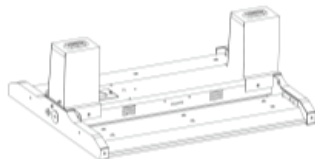
CMY10FT
10 FT Y-Toggle
Steel Cables
(Field Installed)



PMBK
Pendant Mount
Bracket Kit
(Field Installed)
(Hub not provided)



SMBK
Surface Mount
Bracket Kit
(Field Installed)



WG
Wire Guard
(Field Installed)

